

Superior conception

Piston type pressure switch with one change-over switch, easily adjustable over the entire pressure range, with scale for presetting of the pressure switching point.

Pressure switch with one adjustable change-over switch

Type DV7.1



Real Swiss quality

Designed for rough operating conditions, insensitive to hydraulic overloads, specially developed piston seal, housing made of anodized light metal alloy, degree of protection IP 65, with instrument plug according DIN 43650.

Easy to install

Ideal overall dimensions, can be mounted in any operation position, turnable under full pressure around the longitudinal axis, instrument plug turnable by 4x 90°.

Universal application

7 pressure ranges for the optimal adaptation to any operating pressure, suitable for mineral oils (HLP-oils according DIN 51524), other mediums on request.

Damping

For the protection of the pressure switch we recommend the installation of a damping element as for example a throttle screw with double fitting according to the table below.

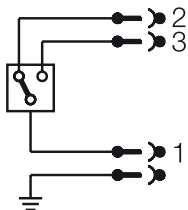
Technical data

Type	Pressure up to bar	Overload max. bar	Double fitting G 1/4" - G 1/4"		Double fitting G 1/2" - G 1/4"	
			part no. 36796	Throttle screw part no. mm	part no. 33222	Throttle screw part no. mm
DV7. 60.33006	60	130	42355	0.5	23848	0.5
DV7. 100.33010	100	360	42355	0.5	23848	0.5
DV7. 180.33018	180	360	42355	0.5	23848	0.5
DV7. 250.33025	250	500	42355	0.5	23848	0.5
DV7. 400.33040	400	800	42352	0.2	21063	0.2
DV7. 600.33060	600	1200	42352	0.2	21063	0.2
DV7. 1000.33100	1000	1200	42352	0.2	21063	0.2

Pressure switch with one adjustable change-over switch

Type DV7.1

Wiring diagramme



Electrical switching capacity

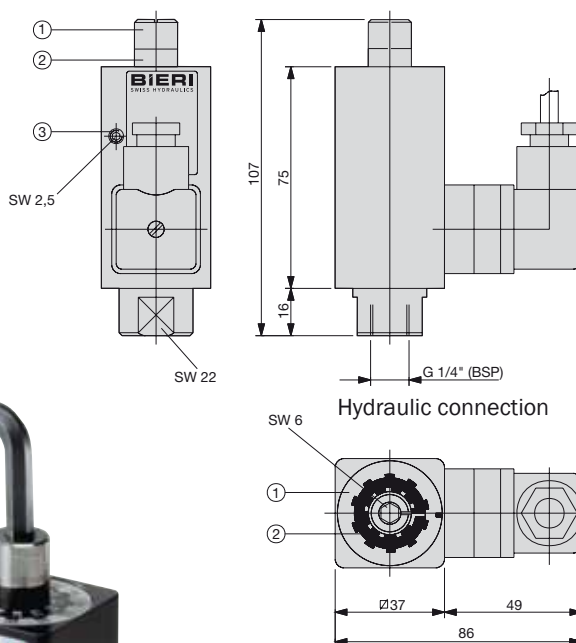
AC-15:	2 A / 125 V...250 V
DC-13:	2 A / 30 V
DC-12:	4 A / 30 V

General information

Switching hysteresis of the scale end value	5-10%
Repeat accuracy of the scale value	1%
Degree of protection	IP 65
Class of insulation	I
Standard	IEC 60947-5-1

Setting of the switching point

- ① Bright scale-/spindle part.
- ② Dark scale-/spindle part.
- ③ Spindle locking.
- Loosen the spindle locking ③.
- Combine the dark scale part ② with the dark spindle part ② for lower pressure setting and the bright scale part ① with the bright spindle part ① for upper pressure setting.
- Tighten the spindle locking ③.



As we are constantly improving our products, Bieri reserves the right to make changes to the technical specification without prior notice.

Bieri Hydraulik AG
 Könizstrasse 274
 CH-3097 Liebefeld/Switzerland
 Tel. +41 31 970 09 09
 Fax +41 31 970 09 10
 sales@bierihydraulics.com

BIERI
 HYDAC INTERNATIONAL

Used for line or panel mounting

Superior conception

Combined instrument for permanent pressure indication, provided with two change-over switches which are independently adjustable over the entire pressure range, with indication of the pressure settings.

Pressure switch with two adjustable change-over switches

Type DV7.2



Real Swiss quality

Designed for rough operating conditions, insensitive to hydraulic overloads, specially developed piston seal, built-in damper, housing made of anodised light metal alloy, degree of protection IP 54, with instrument plug according DIN 43650.

Easy to install

Ideal overall dimensions, can be mounted in any operating position, turnable under full pressure around the longitudinal axis, instrument plug turnable by 3x 90°.

Universal application

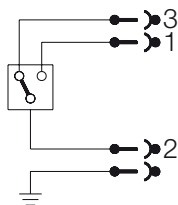
7 pressure ranges for the optimal adaptation to any operating pressure, suitable for mineral oils, other mediums on request.

Technical data

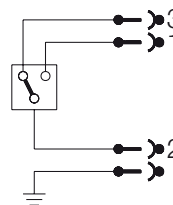
Type	Pressure up to bar	Overload admissible max. bar
DV7. 70.29007	70	150
DV7. 100.29010	100	300
DV7. 160.29016	160	300
DV7. 250.29025	250	1200
DV7. 400.29040	400	1200
DV7. 600.29060	600	1200
DV7. 1000.29100	1000	1200

Wiring diagramme

p 1: green tab



p 2: red tab



Electrical switching capacity

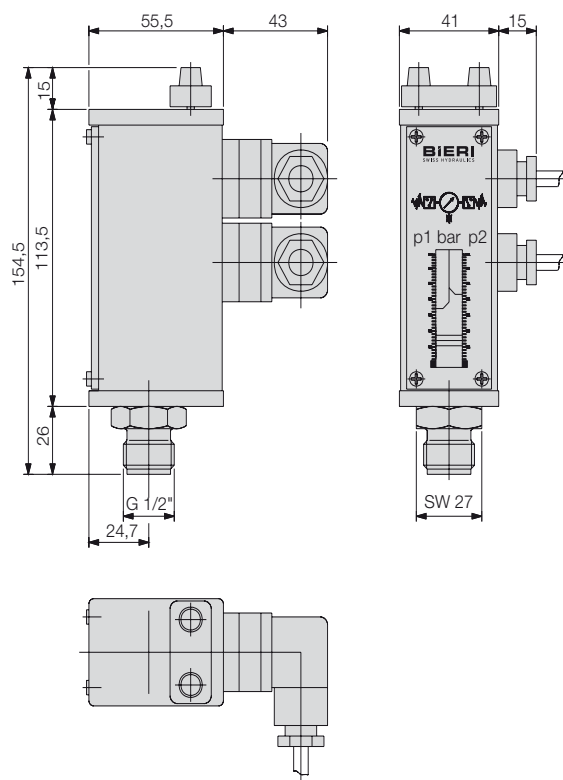
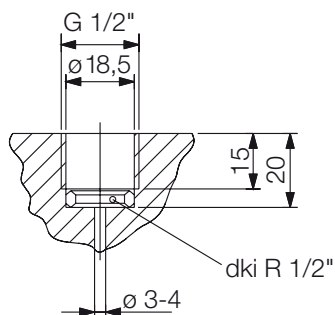
AC-15:	2 A / 125 V...250 V
DC-13:	2 A / 30 V
DC-12:	4 A / 30 V

General information

Switching hysteresis	
of the scale end value	2-10%
Repeat accuracy	
of the scale value	1%
Degree of protection	IP 54
Class of insulation	I
Indication accuracy class	4.0
Standard	IEC 60947-5-1

Hydraulic connection

Up to 640 bar same as for pressure gauges according DIN 2353. Above 640 bar connection thread as shown below, with seal ring dki 1/2" BSP (Ermeto).



As we are constantly improving our products, Bieri reserves the right to make changes to the technical specification without prior notice.

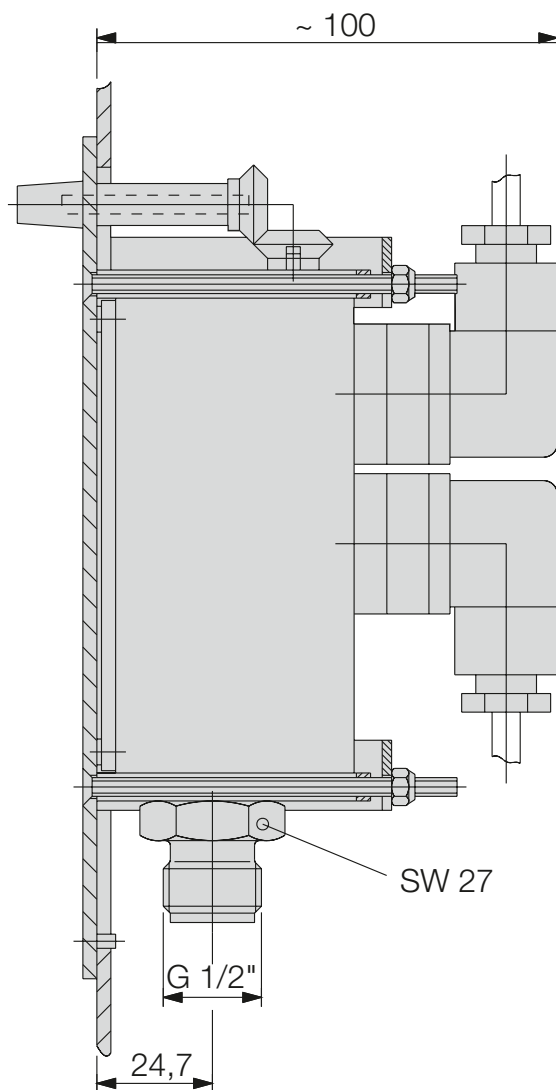
Bieri Hydraulik AG
 Könizstrasse 274
 CH-3097 Liebefeld/Switzerland
 Tel. +41 31 970 09 09
 Fax +41 31 970 09 10
 sales@bierihydraulics.com

BIERI
 HYDAC INTERNATIONAL

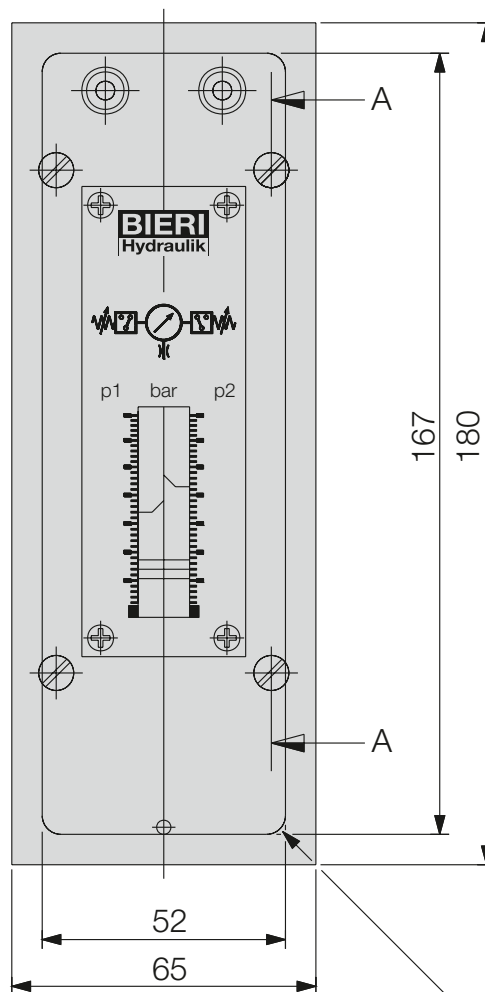


This pressure switch is equipped with the necessary fixation and control elements for panel mounting. Therefore it is possible to set the pressures directly on the control panel or control desk. The technical data and features are the same as for the standard pressure switch for line mounting.

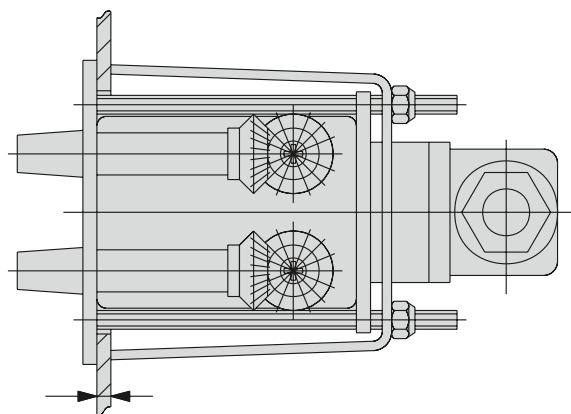
Front panel-set type 28405-DV1 for all pressure switch types. Pressure switch type has to be indicated separately when ordered. Example for an order: DV7.250.29025 with front panel-set 28405-DV1.



Section A-A



Cutout in the panel



Panel thickness 1-6 mm

As we are constantly improving our products, we keep us the right to change the technical specifications without prior notice.

Bieri Hydraulik AG
 Könizstrasse 274
 CH-3097 Liebefeld/Switzerland
 Tel. +41 31 970 09 09
 Fax +41 31 970 09 10
 sales@bierihydraulics.com

BIERI
 SWISS HYDRAULICS

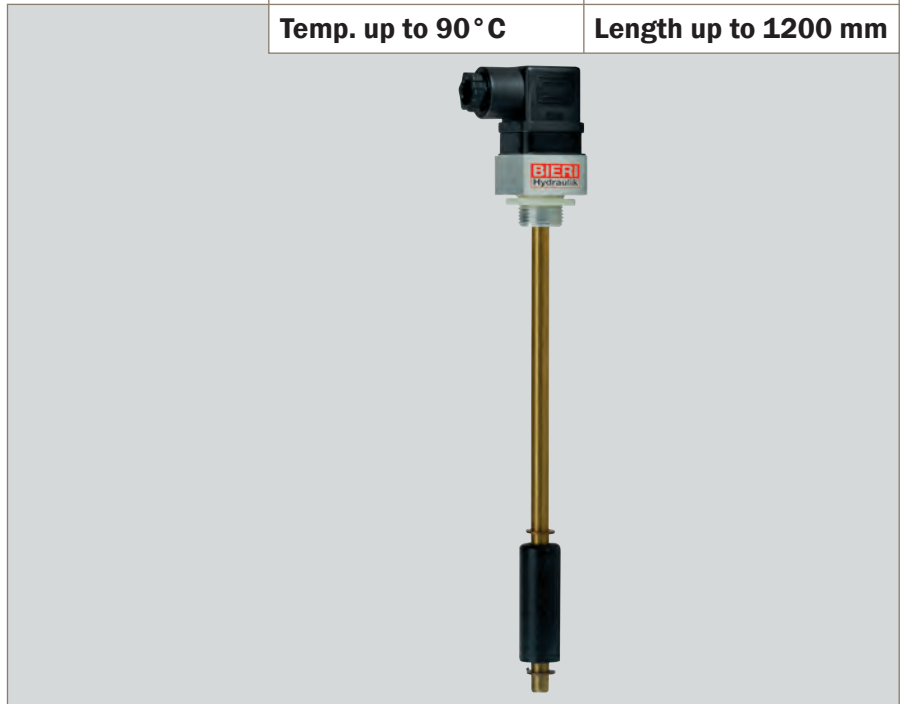
The oil level switch with technical and economical advantages!

- Small dimensions
- Guaranteed potentialfree switching
- Every length up to 1200 mm possible
- Directly threaded into the tank cover

Various types available:

- one level contact
- two level contacts
- one level and one temperature contact
- two level and one temperature contact

Oil level switch	Type FS
Temp. up to 90 °C	Length up to 1200 mm



Applications

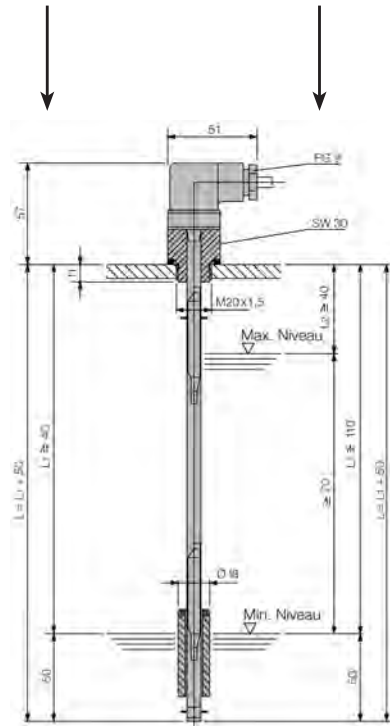
To guarantee an unobjectionable function, the oil level switch shall never be mounted nearby the filler neck or the oil return.

Technical data

Thread size		M 20 x 1,5
Mounting position		vertical $\pm 10^\circ$
Instrument plug		DIN 43650
Degree of protection		IP 65
Switching voltage	level	max. 230 VAC/230 VDC
	temperature	max. 250 VAC/250 VDC
Switching current	level	max. 0,8 A/0,8 A ind.
	temperature	max. 2,5 A/1,6 A ind.
	temperature	min. 50 mA
Switching capacity	level	max. 20 W/26 VA
Temperature hysteresis		max. 25 °C
Temperature accuracy		$\pm 10\%$
Temperature switching point	normally closed	+ 55/70/80/90 °C
	normally open	+ 60/70/80/90 °C
Contact function		normally closed or open
Medium		mineral oil

Oil level switch	Type FS
Temp. up to 90 °C	Length up to 1200 mm

Type	Contact function	Part. no.	Wiring diagram	Dimensions
Min. level	normally open	34200		Left side for min. level Right side for max. + min. level
Min. level	normally closed	34201		34200 34201 34202 34203 34209
Min. level + temperature	normally open	34202		34204 34205 34206 34207 34208
Min. level + temperature	normally closed	34203		
Max. + Min. level	normally open	34204		
Max. + Min. level	normally closed	34205		
Max. + Min. level + temperature	normally open	34206		
Max. + Min. level + temperature	normally closed	34207		
Max. + Min. level	normally open / normally closed	34208		
Min. level + temperature	normally open / normally closed	34209		



Please indicate levels/temperature when placing your order.

Other types available on request.

As we are constantly improving our products, Bieri reserves the right to make changes to the technical specification without prior notice.

FS-EN-0111

Bieri Hydraulik AG
Könizstrasse 274
CH-3097 Liebefeld/Switzerland
Tel. +41 31 970 09 09
Fax +41 31 970 09 10
sales@bierihydraulics.com

BIERI
HYDAC INTERNATIONAL