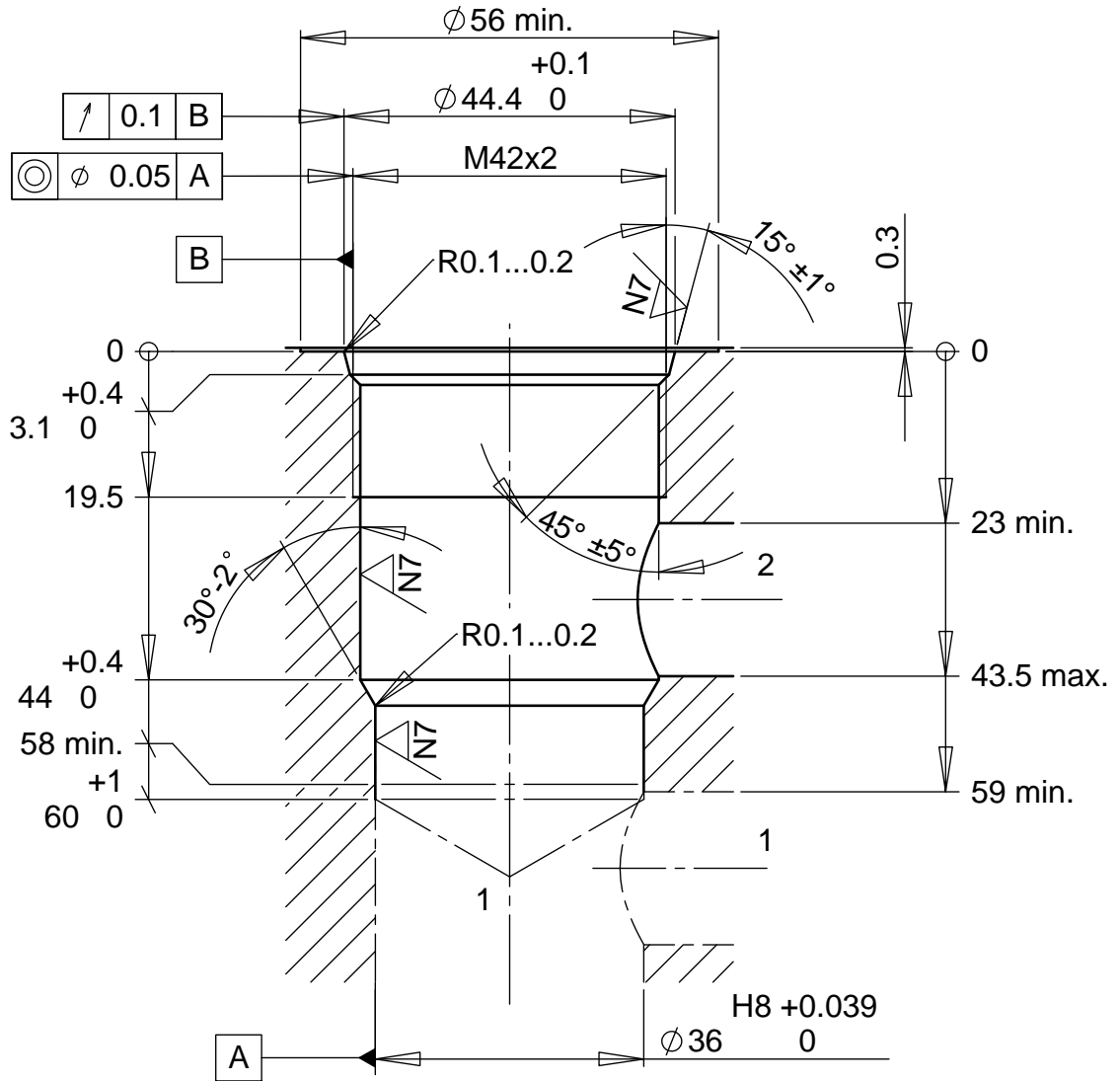


Cartridge cavity ISO 7789-42-02-0-07

10 ∇ ^{N8} / (✓)



2-way-cavity
for pressure relief

Application

Cartridge type:

BVPPM42-...

Data sheet number:

2.3-590