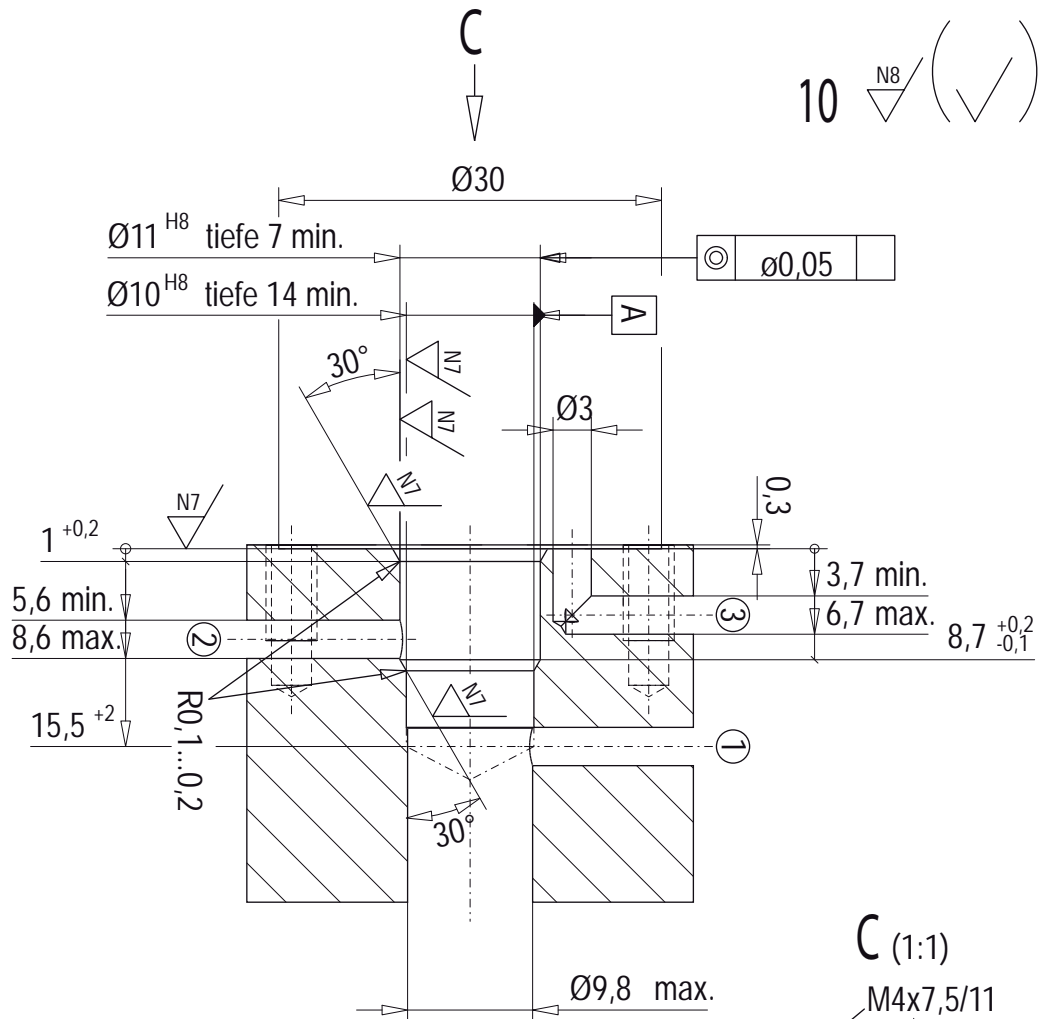
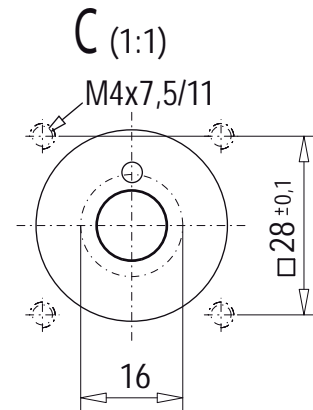


**Cartridge cavity**



**3-way-cavity**

(Drawing no. 1-1357.4)



**Application**

**Cartridge type:**  
MDPPR11...

**Data sheet number:**  
2.3-671

**Cartridge type:**

**Data sheet number:**