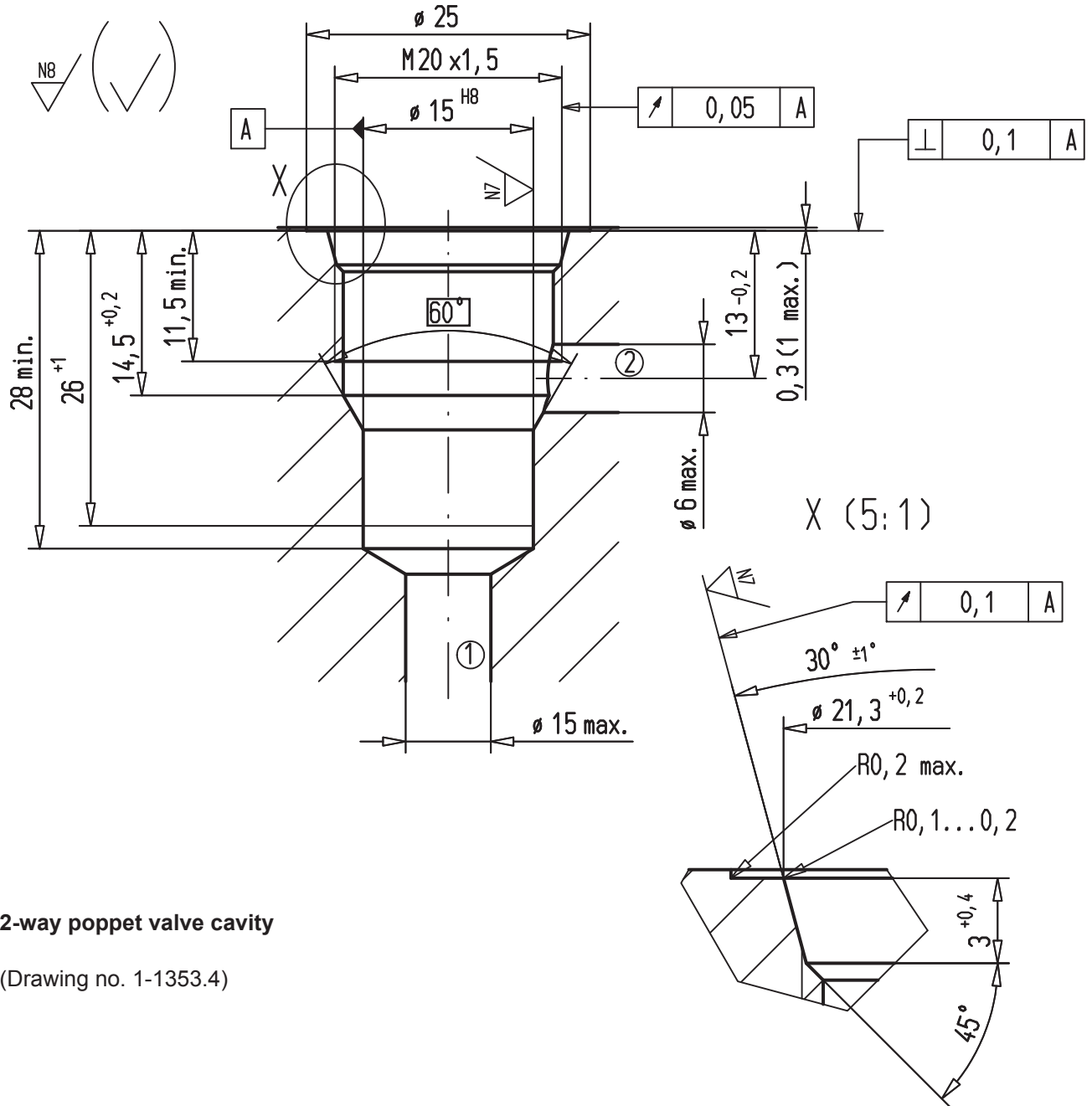


Cartridge cavity



2-way poppet valve cavity

(Drawing no. 1-1353.4)

Application

Cartridge type:
SVSPM20-BC/CB...

Data sheet number:
1.11-2081

Cartridge type:

Data sheet number: