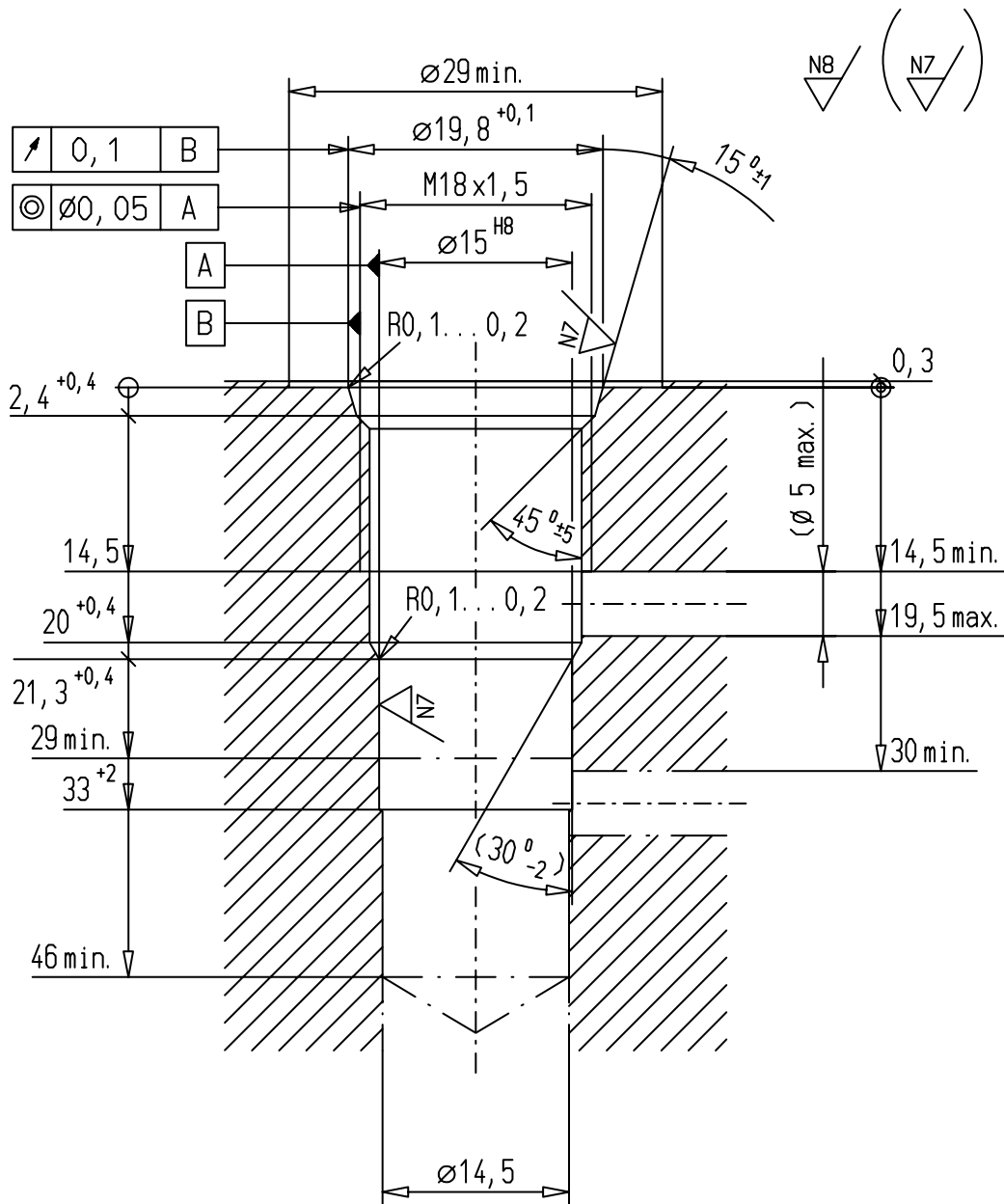


**Cartridge cavity**



**2-way-cavity**

(Drawing no. 1-1311.4)

**Application**

**Cartridge type:**  
QZPPM18-...

**Data sheet number:**  
2.6-610

**Cartridge type:**

**Data sheet number:**