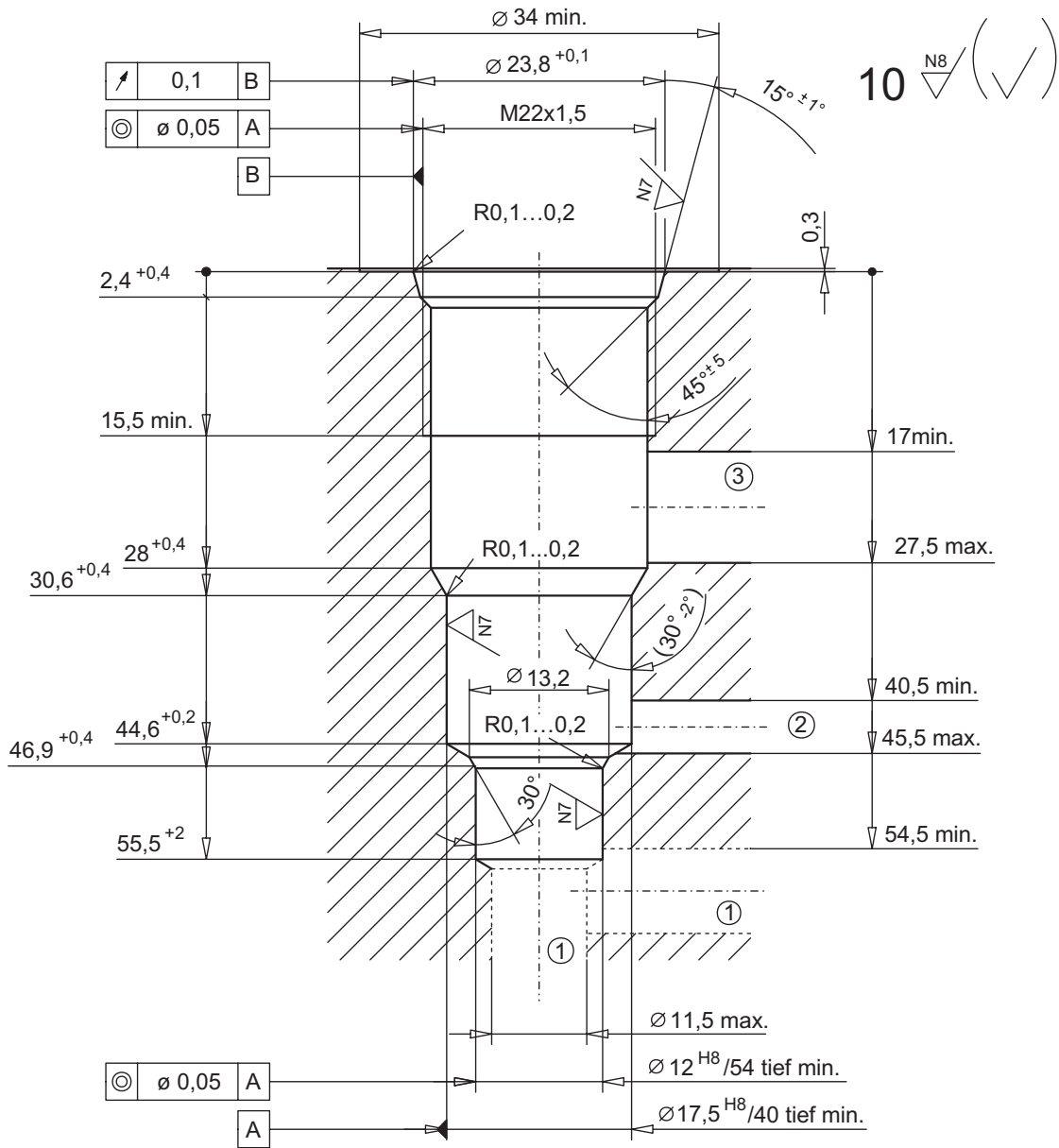


Cartridge cavity



2-way-cavity with pilot port

(Drawing no. 2-641.4)

Application

Cartridge type:
BX / BY.PM22-...

Data sheet number:
2.1-544

Cartridge type:

Data sheet number: