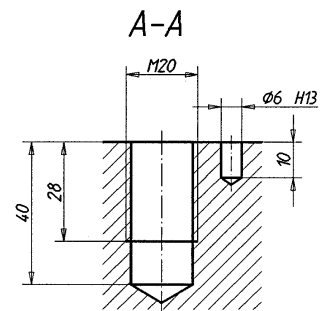
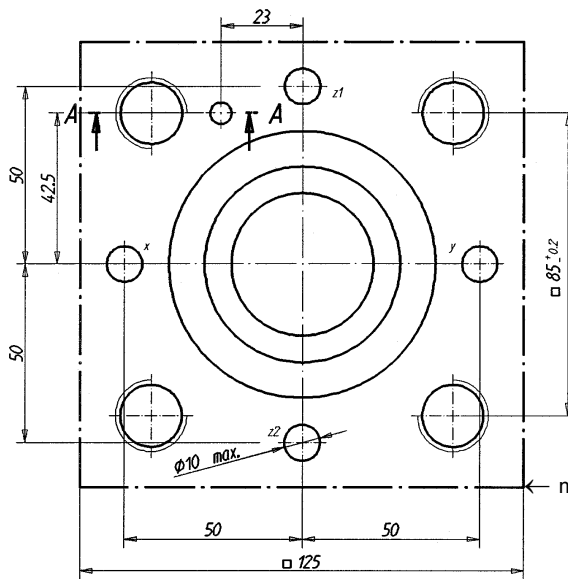
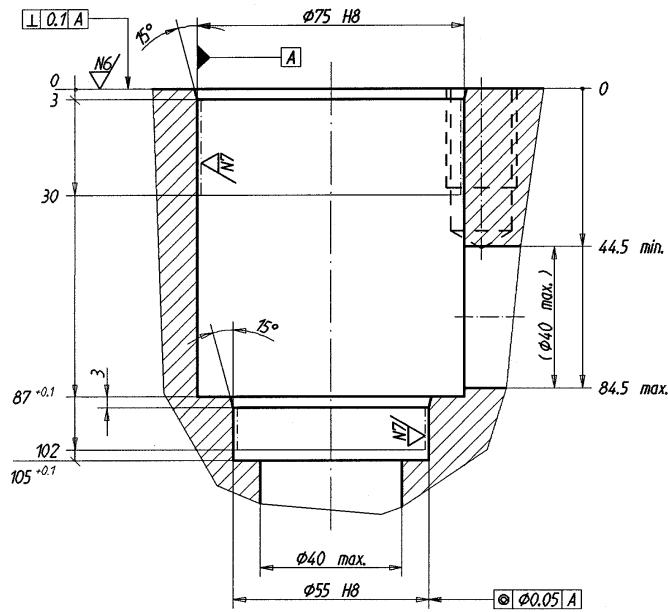


Cartridge cavity CS40, CM40, CD40



(Drawing no. 8-004.4)

Application

Cartridge type:
C.40-...

Data sheet number:
1.12-240

Cartridge type:

Data sheet number: