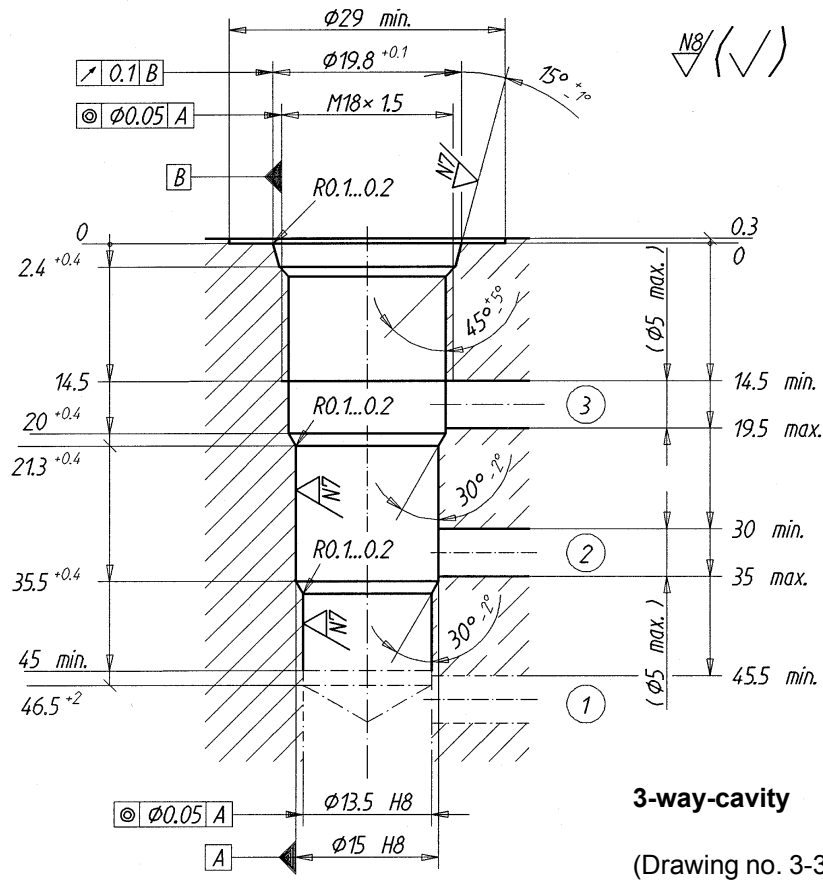


**Cartridge cavity**



**Cavity tools**

**Denomination:**

Form drill  
Form reamer  
Tap

**Article number:**

983.0105  
983.0205  
983.0600

**Form tool set**

consisting of; form drill, form reamer and tap

983.0805

**Application**

**Cartridge type:**

SDSPM18-FG  
MV.PM18-...  
MVPPM18-...

**Data sheet number:**

1.11-2050  
2.2-510  
2.3-610

**Cartridge type:**

**Data sheet number:**