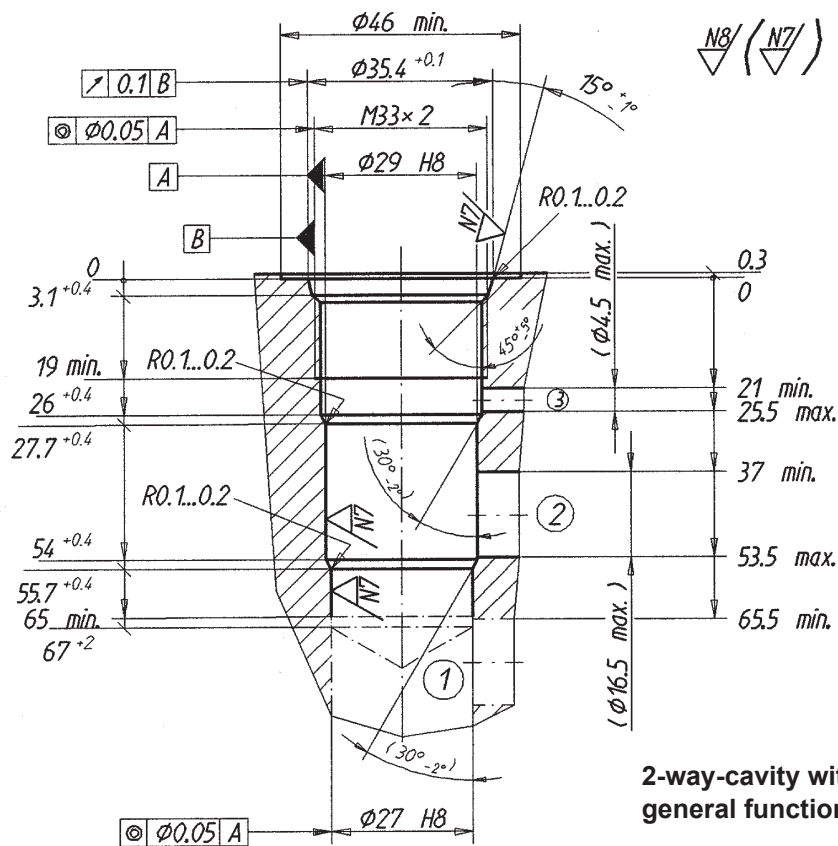


Cartridge cavity ISO 7789-33-06-0-98



**2-way-cavity with pilot port
general function**

(Drawing no. 3-385.4)

Cavity tools

Denomination:

- Form drill
- Form reamer
- Tap

Article number:

- 983.0106
- 983.0206
- 983.0602

Form tool set

consisting of; form drill, form reamer and tap

983.0814

Application

Cartridge type:

- U.FPM33-...
- RNXPM33-...

Data sheet number:

- 2.5-650
- 2.7-62

Cartridge type:

Data sheet number: