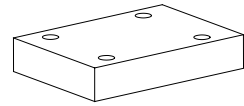


Blanking plate
Linking plate
 • $p_{max} = 350 \text{ bar}$

NG6
 ISO 4401-03


DESCRIPTION

Blanking and linking plates NG6 acc. to ISO 4401-03. The plates are phosphated and will be supplied inclusive 4 O-rings ID 9,25x1,78 (article 160.2093).

APPLICATION

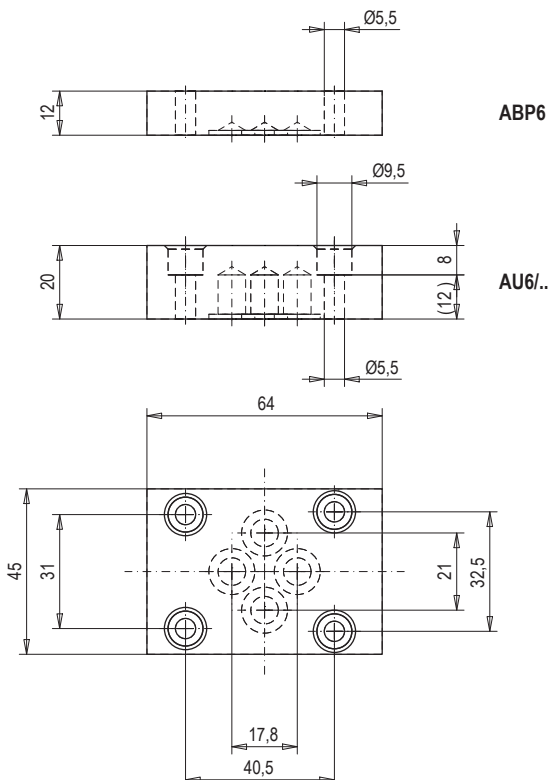
Blanking plates are used to seal all ports (P, A, B, T) of a NG6 interface. With linking plates selected ports of a NG6 interface can be connected. Other ports not in use are sealed.

TYPE CODE

Blanking plate	A BP 6	#	<input type="checkbox"/>
Linking plate	A U 6 /	#	<input type="checkbox"/>
International interface ISO			
Blanking plate	BP		
Linking plate	U		
Nominal size 6			
Connection of ports see type code list and symbols			
Design-Index (Subject to change)			

DIMENSIONS

Blanking and linking plate


TYPES

Types	Article no.	Symbols
<i>Blanking plate:</i>		
ABP6	173.3150	A P T B
<i>Linking plate:</i>		
AU6 / P-B / A-T	173.3250	A P T B
AU6 / P-A / B-T	173.3251	A P T B
AU6 / P-A	173.3252	A P T B
AU6 / P-B	173.3253	A P T B
AU6 / P-T	173.3254	A P T B
AU6 / A-T	173.3255	A P T B
AU6 / B-T	173.3256	A P T B
AU6 / A-B-T	173.3257	A P T B
AU6 / A-B	173.3258	A P T B
AU6 / P-A-B	173.3259	A P T B