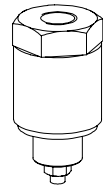


**Pipe failure valve**  
**For installation in pipes**

- $Q_{max} = 20 \text{ l/min}$
- $p_{max} = 210 \text{ bar}$

**NG6**

**DESCRIPTION**

Pipe failure valve NG6 for line mounting. The valve is screwed directly into the component which has to be protected. Thread size for port A: male G3/8". For port P: female G1/4" for type RBSG638 or female G3/8" for type RBSW638. This pipe failure valve is available in a straight version and in a 90° version. Housing and banjo bolt are zinc coated.

**FUNCTION**

Fluid can pass the valve in both flow directions. In flow direction A to P the valve closes if the amount of flow exceeds the adjusted value. Amount of flow which causes the valve to close (cut-off flow) can be adjusted by means of an adjustment screw. The valve is set at 10 l/min at the factory. Turning the adjustment screw clockwise reduces the cut-off flow.

**APPLICATION**

Pipe failure valves are used where loads must be protected against uncontrolled lowering after a line rupture, for example in scissor lifts or leveling platforms.

**Caution:**

Pipe failure valves are not suitable for applications where pressure and flow changes rapidly under normal working conditions.

**CONTENT**

GENERAL SPECIFICATIONS .....	1
HYDRAULIC SPECIFICATIONS .....	1
SYMBOLS .....	1
CHARACTERISTICS .....	2
DIMENSIONS .....	2
PARTS LIST .....	2

**TYPE CODE**

		RBS	<input type="checkbox"/>	6	38	#	<input type="checkbox"/>
Pipe failure valve							
Straight type	<input type="checkbox"/>	G					
90° type	<input type="checkbox"/>	W					
Corresponding to NG6							
Screw-in thread G3/8"							
Design-Index (subject to change)							

**GENERAL SPECIFICATIONS**

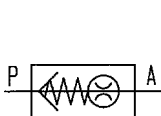
Description	Pipe failure valve
Construction	Threaded body
Mounting	Threaded port, line mounting
Connections	Threaded port male G3/8"
	Threaded port female G1/4" (RBSG638)
	Threaded port female G3/8" (RBSW638)
Ambient temperature	-20...+50°C
Mounting position	any
Weight RBSG638	m = 0,18 kg
RBSW638	m = 0,28 kg

**HYDRAULIC SPECIFICATIONS**

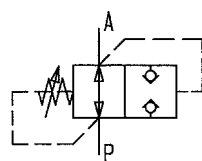
Fluid	Mineral oil, other fluid on request
Contamination efficiency	ISO 4406:1999, class 20/18/14 (Required filtration grade $\beta_{10...25} \geq 75$ ) refer to data sheet 1.0-50/2
Viscosity range	12mm <sup>2</sup> /s...320mm <sup>2</sup> /s
Fluid temperature	-20...+70°C
Peak pressure	$p_{max} = 210 \text{ bar}$
Max. volume flow	P → A: $Q_{max} = 20 \text{ l/min}$ A → P: $Q_{max} = 18 \text{ l/min}$

**SYMBOLS**

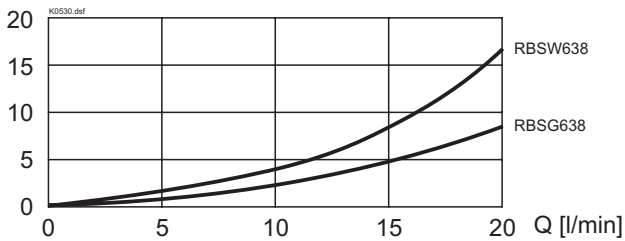
simplified

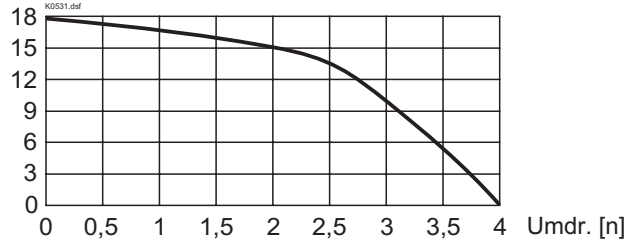


detailed

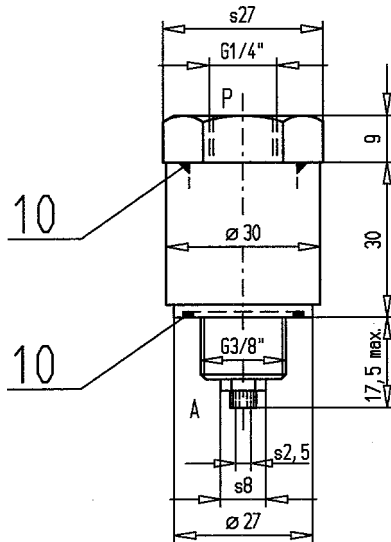


**CHARACTERISTICS** Oil viscosity  $\nu = 30 \text{ mm}^2/\text{s}$ 
 $\Delta p = f(Q)$  Pressure drop characteristic P → A

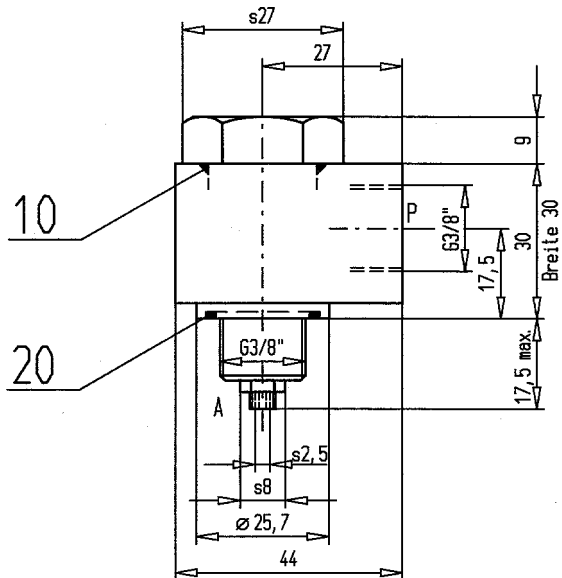
 $\Delta p$  [bar]

 $Q = f(n)$  Cut-off volume flow characteristic A → P

 $Q$  [l/min]

**DIMENSIONS**

RBSG638



RBSW638


**PARTS LIST**

Position	Article	Description
10	160.2215	O-ring ID 21,00x1,50
20	160.2188	O-ring ID 18,77x1,78

Technical explanation see data sheet 1.0-100E