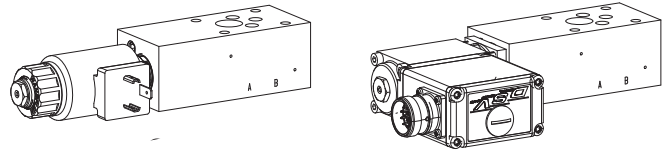


**Proportional 2-way flow control valve
 Flange- and sandwich construction**

- Direct operated, pressure compensated
- $p_{max} = 350 \text{ bar}$

NG6
 ISO 4401-03

DESCRIPTION

Direct operated, pressure compensated proportional flow control valve in flange- and sandwich construction. Proportional flow control screw-in cartridges M22x1,5 acc. to ISO 7789 are installed. In the sandwich plates for A, B and AB line, a bypass check valve for reversed free flow is installed. A bypass non-return valve plate for the flange valve, for free flow from B to A, can be ordered separately. The flange body is painted, the sandwich plates are phosphatized.

FUNCTION

The 2-way flow control valve with series connected pressure balance (primary controller) serves to maintain the speed of a consumer constant independent of the load.

APPLICATION

Proportional flow control valves in flange- and sandwich construction are suitable for precise feed control systems, where the supply flow has to be maintained constant with a changing load. used where the supply volume flow has to be kept constant even when the load fluctuates. Depending on the application, a distinction is made between controlling the forward flow or the return flow.

TYPE CODE

Flow control valve	<input type="checkbox"/>	Q	<input type="checkbox"/>	N	<input type="checkbox"/>	<input type="checkbox"/>	A06 -	<input type="checkbox"/>	-	<input type="checkbox"/>	#	<input type="checkbox"/>
Normally closed	<input type="checkbox"/>											
Proportional	<input type="checkbox"/>											
Proportional with integrated electronics	<input type="checkbox"/>											
Flange construction	<input type="checkbox"/>											
Sandwich construction	<input type="checkbox"/>											
International standard interface ISO, NG6	<input type="checkbox"/>											
Type list / Function:												
<i>Flange construction flow control from:</i>												
A to B	<input type="checkbox"/>											
<i>Sandwich construction flow control in:</i>												
P	<input type="checkbox"/>											
T	<input type="checkbox"/>											
<i>Sandwich construction meter-out flow control in:</i>												
A	<input type="checkbox"/>											
B	<input type="checkbox"/>											
A and B	<input type="checkbox"/>											
<i>Sandwich construction meter-in flow control in:</i>												
A	<input type="checkbox"/>											
B	<input type="checkbox"/>											
A and B	<input type="checkbox"/>											
Nominal volume flow level, etc.: see data sheet of the installed screw-in cartridges												
Examples:	QNPFA06 - A/B -	<input type="checkbox"/>	8 - G24/WD - D1									
	QNVSA06 - A -	<input type="checkbox"/>	18 - 12C1									
Design-Index (Subject to change)												

GENERAL SPECIFICATIONS

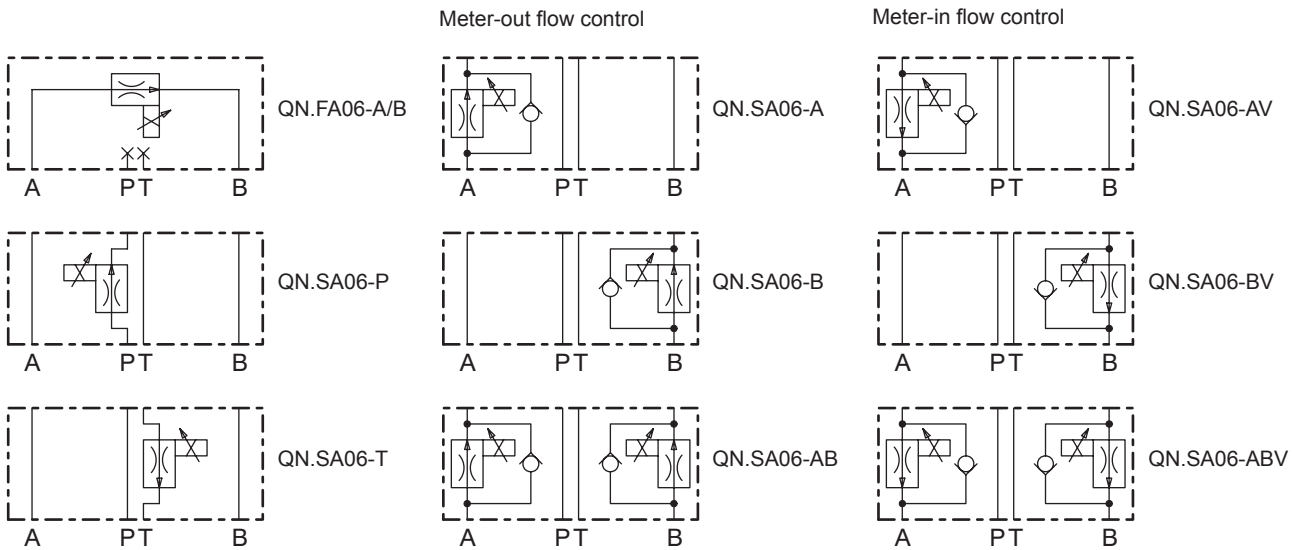
Description	Direct operated proportional 2-way flow control valve
Nominal size	NG6, according to ISO 4401-03.
Construction	Flange- and sandwich construction
Operation	Proportional solenoid
Mounting	4 holes for socket cap screws M5 or studs screws M5
Connection	Threaded connection plates Multi-flange subplates Longitudinal stacking system
Weight (without screw-in cartridge)	<ul style="list-style-type: none"> • Flange type m = 0,81 kg • Sandwich type A,B m = 1,15 kg • Sandwich type P,T, AB m = 1,45 kg

SCREW-IN CARTRIDGES INSTALLED

The following screw-in cartridges are used in either the flange body or the sandwich body:

Type	Designation	Data sheet no.	Qmax*
QNPPM22	normally closed	2.6-631	25 l/min
QNPPM22 **	normally closed	2.6-630	25 l/min
QNVPM22	normally closed, with integrated electronics	2.6-632	25 l/min

* Can deviate from the values on the data sheets of the screw-in cartridges.
 ** Do not use anymore for new applications.

TYPE CHARTS


By turning around valves with meter-out function, meter-in function can be achieved:

- A turns into AV
- B turns into BV
- AB turns into ABV


REMARK!

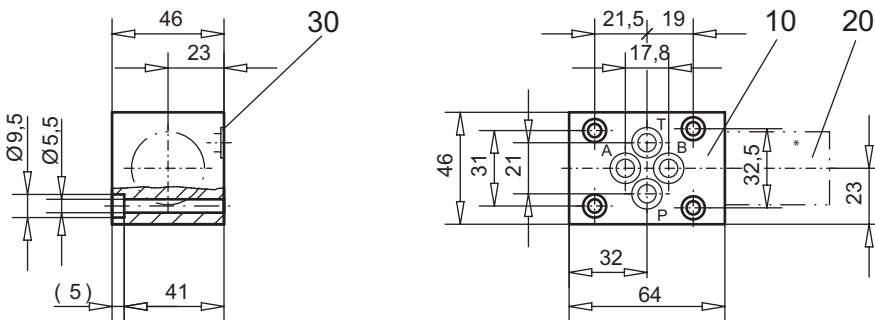
Detailed performance data and additional hydraulic and electric specifications may be drawn from the data sheets of the corresponding installed screw-in cartridge.


CAUTION!

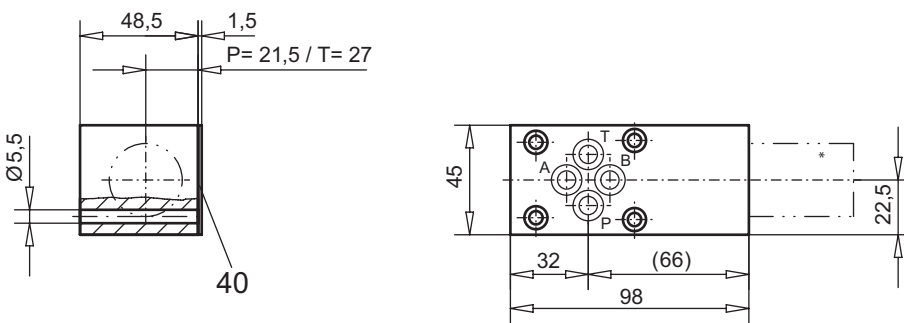
 The performance data, especially the „**pressure-flow-characteristic**„, on the data sheets of the screw-in cartridges, refer to the screw-in cartridges only. The additional pressure drop of the flange body, resp. sandwich body must be taken into consideration.

DIMENSIONS

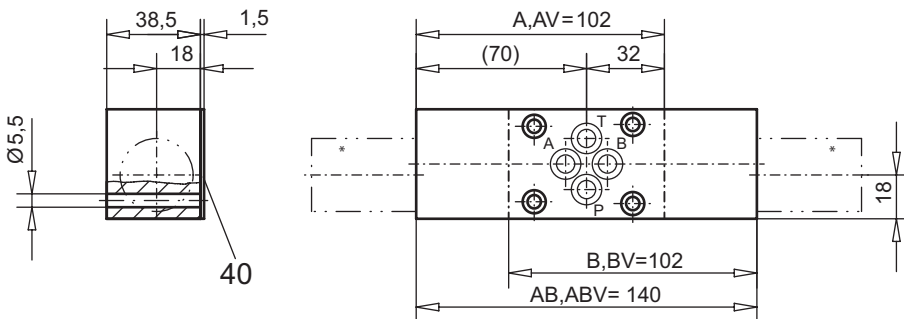
Flange construction QN.FA06 - A/B



Sandwich construction QN.SA06 - P, T



Sandwich construction QN.SA06 - A, B, AB, AV, BV, ABV



* The envelop dimensions of the screw-in cartridge are shown on their corresponding data sheets.

PARTS LIST

Position	Article	Description
10	134.5202	Flange body
	134.5630	Sandwich plate P, T
	134.6634	Sandwich plate A
	134.6635	Sandwich plate B
	134.6633	Sandwich plate AB
20	650.3 . . .	Screw-in cartridge
30	160.2093	O-ring ID 9,25x1,78
40	173.3650	Sealing plate ADB6

ACCESSORIES

Proportional amplifier

register 1.13

Technical explanation see data sheet 1.0-100E