

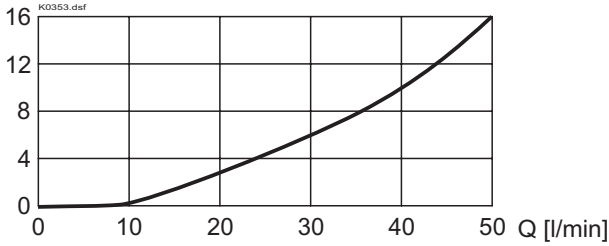


**CHARACTERISTICS** Oil viscosity  $\nu = 30 \text{ mm}^2/\text{s}$

2-way operation

$\Delta p = f(Q)$  Pressure drop-volume flow curve

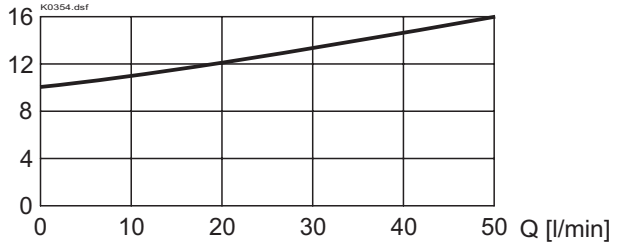
$\Delta p$  [bar]



3-way operation

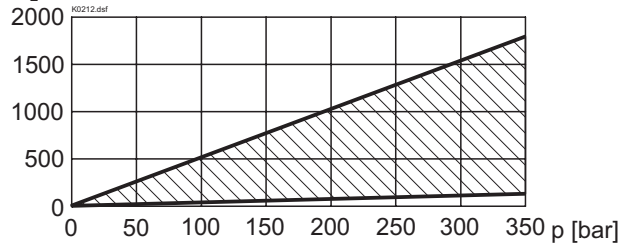
$\Delta p = f(Q)$  Pressure drop-volume flow curve

$\Delta p$  [bar]

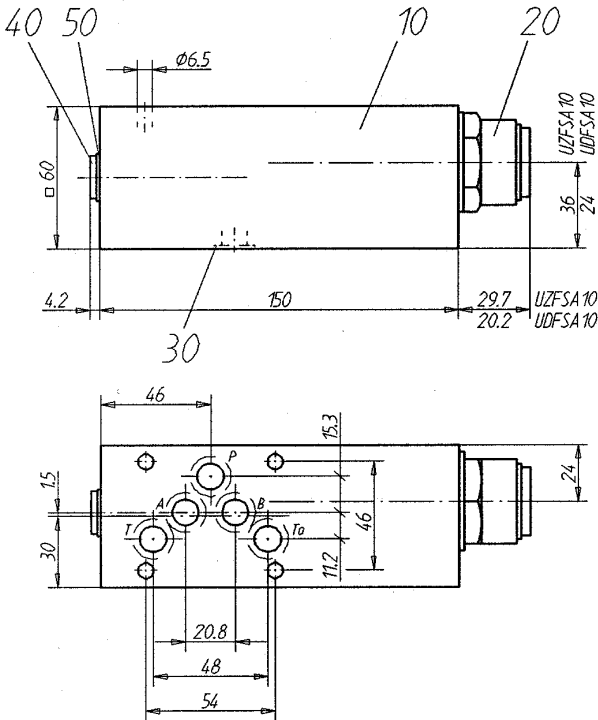


$Q_L = f(p)$  Leakage volume flow curve

$Q_L$  [cm<sup>3</sup>/min]



**DIMENSIONS**



**PARTS LIST**

Position	Article	Description
10	136.4603 136.4604	Sandwich plate for 2-way operation Sandwich plate for 3-way operation
20	597.4000 597.4001	Cartridge UZFPM33 (Data sheet 2.5-650) Cartridge UDFPM33 (Data sheet 2.5-650)
30	160.2140	O-Ring ID 14,00x1,78
40	238.2204	Locking screw DIN 908 G1/4"
50	49.2132	Bonded seal ID 13,7x20x1,5

**ACCESSORIES**

Thread connection plates and rows of flange plates register 2.9

Technical explanation see data sheet 1.0-100E