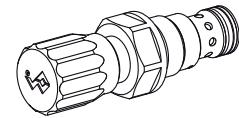


**Pressure relief valve
Screw-in cartridge**

- Pilot operated
- $Q_{max} = 100 \text{ l/min}$
- $p_{max} = 400 \text{ bar}$
- $p_{Nmax} = 350 \text{ bar}$

M22x1,5
 ISO 7789

DESCRIPTION

Pilot operated pressure relief valve as screw-in cartridge with a thread M22x1,5 and cavity according to ISO draft 7789. The valve is available in two different setting versions: Key setting "S" and turning knob setting "D". Key adjustment "S" is also available with cover, see data sheet 2.0-50. Three standard pressure levels are available: 63, 160 and 350 bar. The cartridge body made of steel is galvanized and therefore rust-protected.

FUNCTION

When the set operating pressure is reached, the main spool opens and connects the protected line with the return line to the tank. These pressure relief valves consist of a main-and a pilot operation system integrated into the cartridge. The pilot operation is a direct operated pressure relief valve which acts on the main system. The helical spring of the pilot operation can be easily set to the desired operating pressure. Pilot operated pressure relief valves can be very sensitively adjusted and are suitable for large oil flows and high pressure. The very limited play of the hardened spool results in a limited oil leakage.

APPLICATION

For limiting the operating pressure in hydraulic systems by releasing the oil from the protected oil line P (1) to the outlet/tank return line T (2). The screw-in cartridge is very suitable for mounting in control blocks and is built into the Wandfluh hydraulics NG4, NG6 and NG10 as a functional element in sandwich style plates (vertical combination) and flange-mounted valves (please refer to the separate data sheets in register 2.1). Stepped tools are available for making the receptacle bores in steel and aluminium (Hire or purchase). Please refer to the data sheets in register 2.13.

Attention: Should therefore not be utilized anymore in applications with periodically changing direction of flow.

CONTENT

GENERAL SPECIFICATIONS.....	1
HYDRAULIC SPECIFICATIONS.....	1
SYMBOL.....	1
MECHANICAL ACTUATION.....	1
CHARACTERISTICS.....	2
DIMENSIONS.....	2
PARTS LIST	2
ACCESSORIES.....	2

TYPE CODE

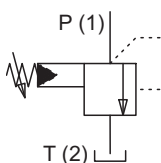
	B	V	<input type="checkbox"/>	PM22 -	<input type="text"/>	#	<input type="text"/>
Pressure relief valve							
Pilot operated							
Types of adjustment: Key	<input type="checkbox"/>	S					
Control knob	<input type="checkbox"/>	D					
Cover	<input type="checkbox"/>	A	(see data sheet 2.0-50)				
Screw-in cartridge M22x1,5							
Pressure range:	$p_N = 63 \text{ bar}$	<input type="checkbox"/>	63				
	$p_N = 160 \text{ bar}$	<input type="checkbox"/>	160				
	$p_N = 350 \text{ bar}$	<input type="checkbox"/>	350				
Design-Index (Subject to change)							

GENERAL CHARACTERISTICS

Description	Pilot operated pressure relief valve
Construction	Screw-cartridge for cavity acc. to ISO 7789
Mounting	Screw thread M22x1,5
Ambient temperature	-20...+50°C
Mounting position	any
Fastening	$M_D = 50 \text{ Nm}$
Weight	$m = 0,15 \text{ kg}$ (key) $m = 0,16 \text{ kg}$ (control knob)

HYDRAULIC CHARACTERISTICS

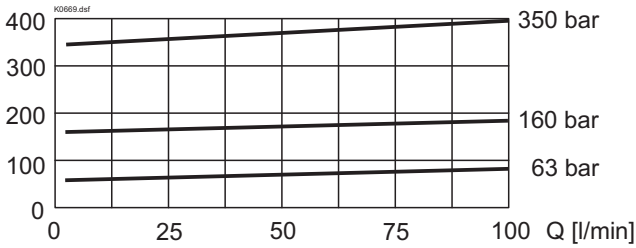
Hydraulic fluid	Mineral oils, other fluids on request
Contamination efficiency	ISO 4406:1999, class 18/16/13 (Required filtration grade $\beta_{6...10} \geq 75$) refer to data sheet 1.0-50/2
Viscosity range	12 mm ² /s...320 mm ² /s
Fluid temperature	-20...+70°C
Peak pressure	$p_{max} = 400 \text{ bar}$ $p_{Tmax} = p_p + 20 \text{ bar}$
Nominal pressure range	$p_N = 63 \text{ bar}$, $p_N = 160 \text{ bar}$, $p_N = 350 \text{ bar}$
Minimum pressure	see characteristics
Volume flow	$Q = 0,2...100 \text{ l/min}$
Leakage volume flow	see characteristics

SYMBOL

MECHANICAL ACTUATION

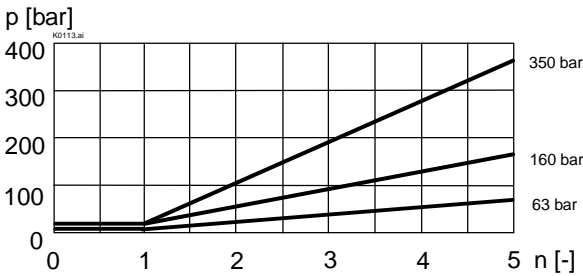
Mechanical types of operation in 3 different versions:	
S	= Key adjustment by means of Span key and Allen key
D	= Control knob adjustment
Actuation stroke S_b	= 5 mm
Actuation angle α_b	= 1800° (5 revolutions)

CHARACTERISTICS Oil viscosity $\nu = 30 \text{ mm}^2/\text{s}$

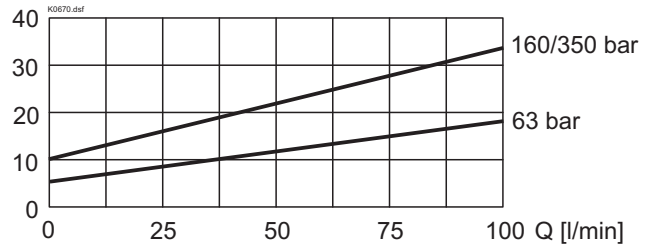
$p = f(Q)$ Pressure volume flow characteristics
 p [bar] (Maximal adjustable pressure)



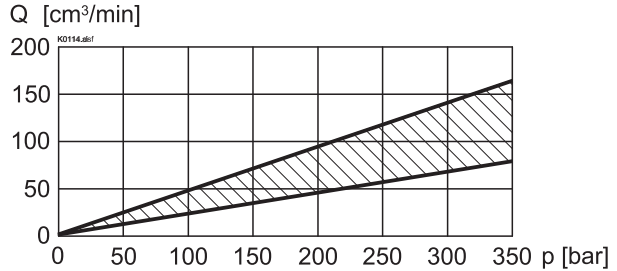
$p = f(n)$ Pressure adjustment characteristics
 (at $Q = 5 \text{ l/min}$)



$p = f(Q)$ Pressure volume flow characteristics
 p [bar] (Minimal adjustable pressure)

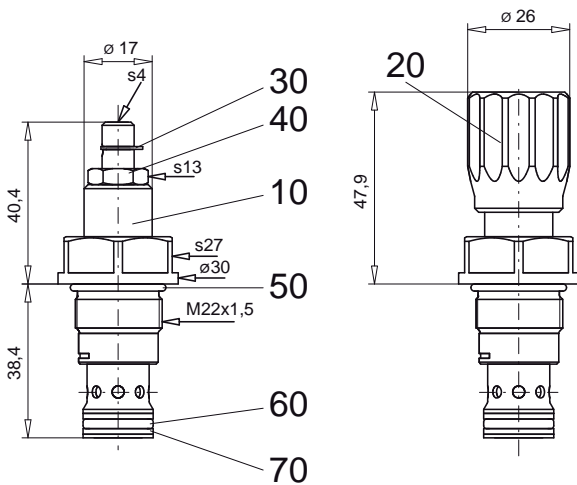
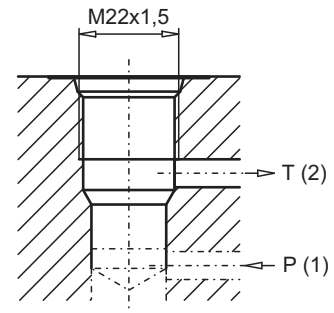


$Q_L = f(p)$ Leakage volume flow characteristics
 [P (1) \rightarrow T (2)]


DIMENSIONS

Screw adjustment "S"

Knob adjustment "D"


 Cavity drawing to
 ISO 7789-22-02-0-98


Detailed cavity drawing and cavity tools see data sheet 2.13-1003.

PARTS LIST

Position	Article	Description
10	592.4300	BV.PM22- 63 pre-mounted
	592.4301	BV.PM22-160 pre-mounted
	592.4302	BV.PM22-350 pre-mounted
20	114.2224	Knob
30	193.1061	Safety plate RD6 DIN 6799
40	153.1402	Hexagonal nut 0,5D M8x1
50	160.2188	O-ring ID 18,77x1,78
60	160.2140	O-ring ID 14,00x1,78
70	049.3177	Back-up ring RD 14,6x17,5x1,4

ACCESSORIES

Cartridge built into flange- or sandwichbody:

Flange valve

register 2.1

Sandwich valve

register 2.1

Technical explanation see data sheet 1.0-100E