

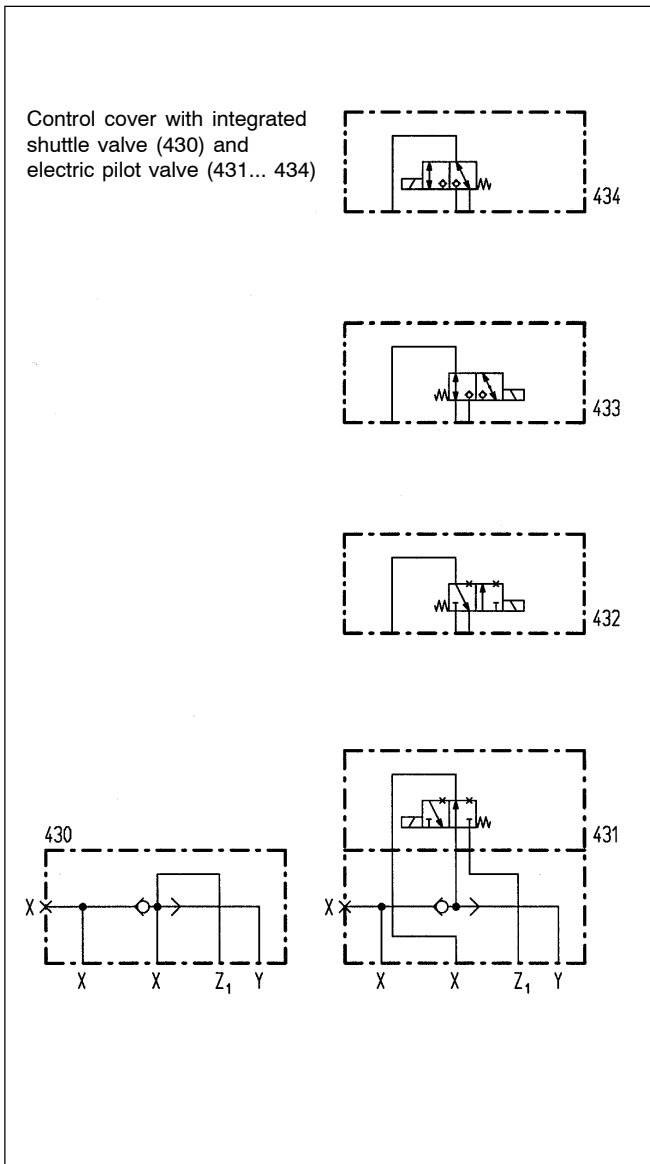
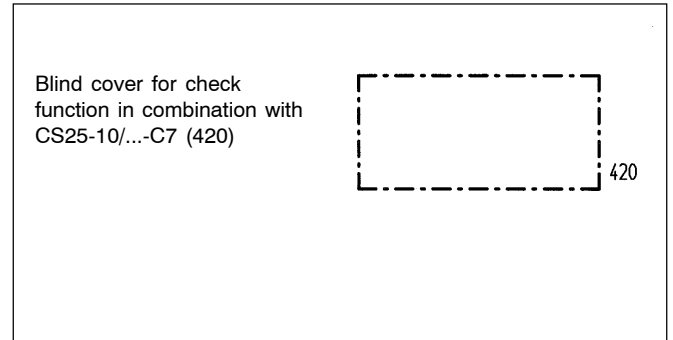
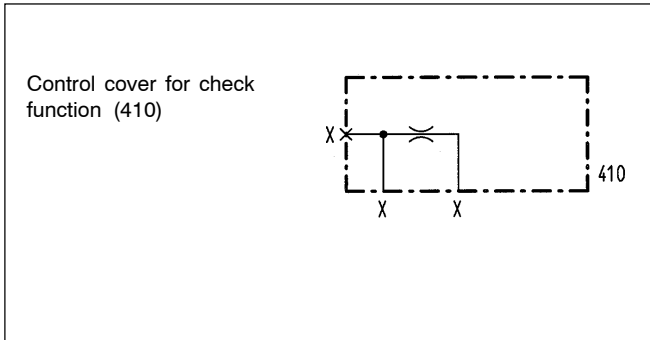
**Control cover
for check function**

• $p_{max} = 350 \text{ bar}$

NG 25

ISO 7368

DIN 24342



GENERAL SPECIFICATIONS

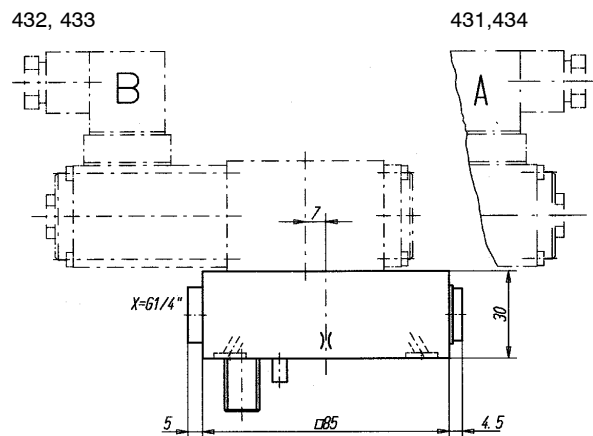
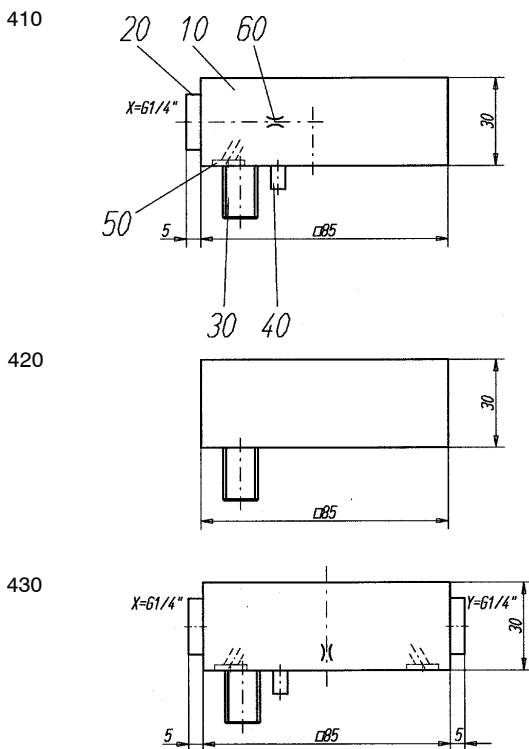
Construction	Control cover for check function
Mounting position	any
Installation dimension	see dimension to ISO 7368 / DIN 24342 see data sheet 2.13-1022
Ambient temperature	-20...+50°C
Fastening torque	M _D = 80 Nm (Qual. 8.8) for fixing screws

HYDRAULIC SPECIFICATIONS

Fluid	Mineral oil, other fluid on request
Contamination efficiency	ISO 4406:1999, class 18/16/13 (Required filtration grade β _{6...10} ≥ 75) see data sheet no. 1.0-50/2
Viskosity range	12 mm ² /s bis 320 mm ² /s
Fluid temperature	-20...+70°C
Operation pressure	p _{max} = 350 bar

TYPE CODE

Control cover	D 25			-		/		#	
Nominal size 25	D 25								
Pilot no. 410...434	D 25								
Solenoid type for pilot valve									
Standard:	431, 432	M							
	433, 434	S							
Standard nominal voltage U _N	12 VDC	G12	110 VAC	R110					
	24 VDC	G24	115 VAC	R115					
			230 VAC	R230					
Orifice in cover:	0.6 mm	0.6							
	1.0 mm	1.0	usw.						
Omit if without orifice									
Design-Index (Subject to change)									

DIMENSIONS

ERSATZTEILLISTE

Position	Article	Description
10	63.1016	Plate to 410
	63.1006	Plate to 420
	63.1038	Plate to 430
	63.1010	Plate to 431, 432, 433, 434
20	238.2406	Locking screw VSTI G1/4"
30	246.6135	Cyl. screw M12x35 DIN912
40	221.2470	Pin Ø5x16 DIN1481
50	160.2092	O-Ring ID 9,19x2,62
60	118.2007	Orifice M5 / 0,6 x 5
	118.2008	Orifice M5 / 0,7 x 5
	118.2010	Orifice M5 / 0,8 x 5
	118.2011	Orifice M5 / 0,9 x 5
	118.2012	Orifice M5 / 1,0 x 5

PILOT OPERATED VALVES

Pilot operated valves:	431	BM4Z40a	Data sh. 1.2-31
	432	BM4Z40b	Data sh. 1.2-31
	433	BS32040b	Data sh. 1.11-2120
	434	BS32041a	Data sh. 1.11-2120