

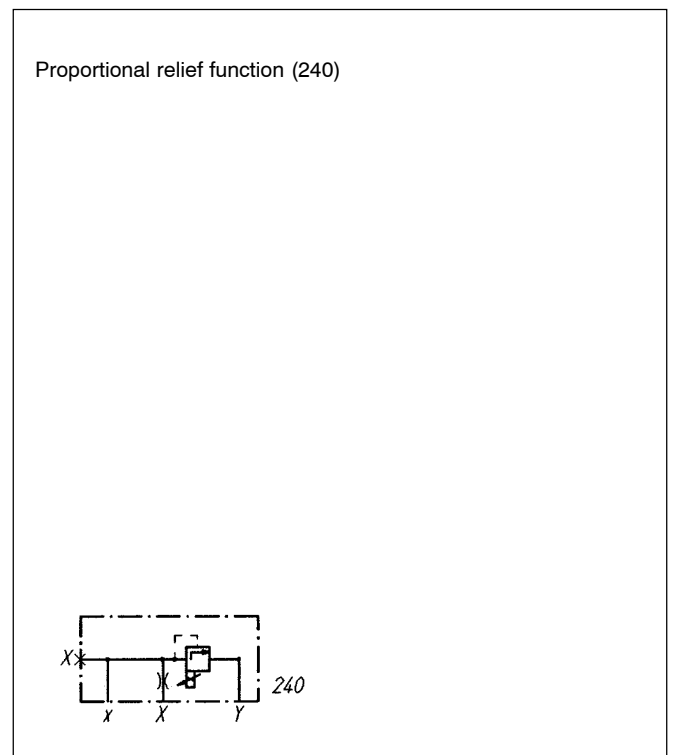
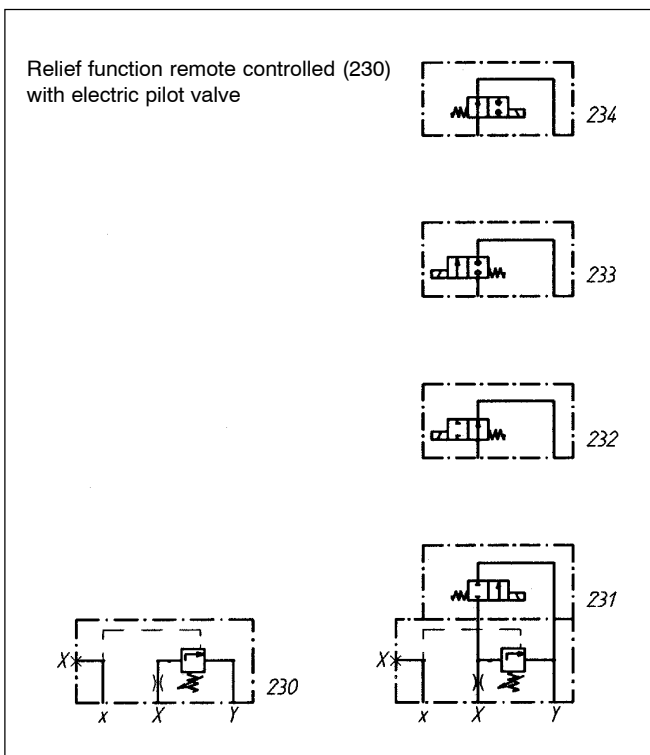
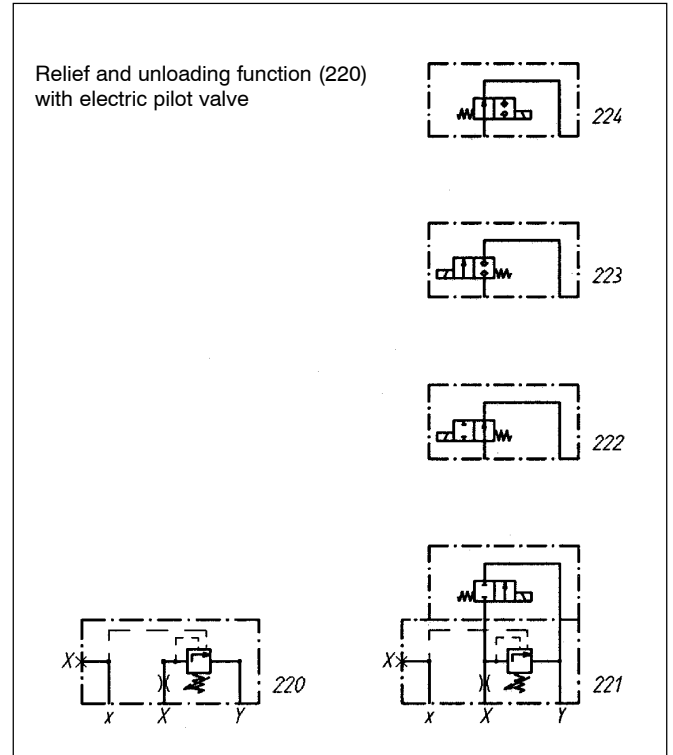
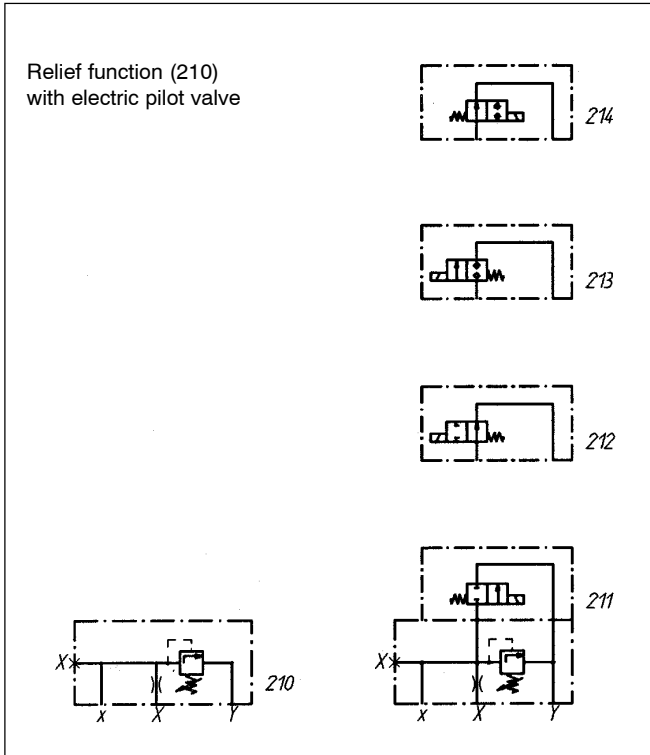
**Control cover
for pressure function**

• $p_{max} = 350 \text{ bar}$

NG 16

ISO 7368

DIN 24342



GENERAL SPECIFICATIONS

Construction	Control cover for directional function
Mounting position	any
Installation dimension	see dimension to ISO 7368 / DIN 24342 see data sheet 2.13-1021
Ambient temperature	-20...+50°C
Fastening torque	M _D = 25 Nm (qual. 8.8) for fixing screws

HYDRAULIC SPECIFICATIONS

Fluid	Mineral oil, other fluid on request
Contamination efficiency	ISO 4406:1999, class 18/16/13 (Required filtration grade β ₆ ...10 ≥ 75) see data sheet no. 1.0-50/2
Viskosity range	12 mm ² /s bis 320 mm ² /s
Fluid temperature	-20...+70°C
Operation pressure	p _{max} = 350 bar

TYPE CODE

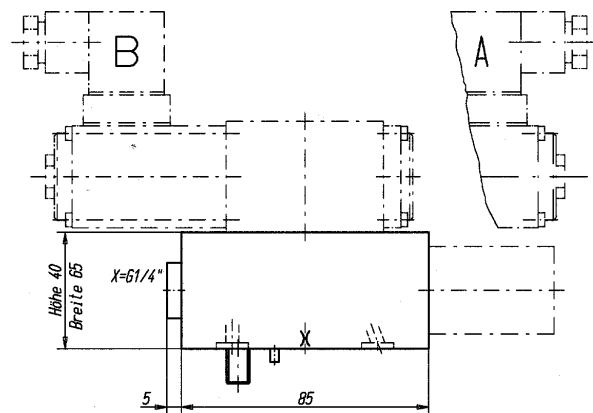
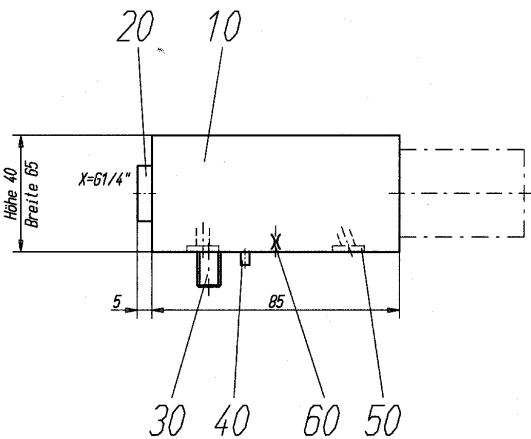
Control cover	D 16 <input type="checkbox"/> - <input type="checkbox"/> <input type="checkbox"/> / <input type="checkbox"/> - <input type="checkbox"/> # <input type="checkbox"/>				
Size 16					
Pilot no. 210...240					
Solenoid type for pilot valve					
Standard:	211, 212, 221, 222, 231, 232	<input type="checkbox"/> M			
	213, 214, 223, 224, 233, 234	<input type="checkbox"/> S			
	not applicable at 240				
Standard nominal voltage U _N	12 VDC	<input type="checkbox"/> G12	incl. 240	110 VAC	<input type="checkbox"/> R110
	24 VDC	<input type="checkbox"/> G24	incl. 240	115 VAC	<input type="checkbox"/> R115
				230 VAC	<input type="checkbox"/> R230
Orifice in cover:	0.6 mm	<input type="checkbox"/> 0.6			
	1.0 mm	<input type="checkbox"/> 1.0	usw.		
Omit if without orifice					
Setting versions S, D, K, A (not applicable at cover240) and press. range from press. valve z.B.	<input type="checkbox"/> D250				
Design-Index (Subject to change)					

DIMENSIONS

210, 220, 230, 240

211, 221, 231, 214, 224, 234

212, 222, 232, 213, 223, 233


VALVES

Pilotoperated valves:	211, 221, 231	BM4Z40b	Data sheet 1.2-31
	212, 222, 232	BM4Z40a	Data sheet 1.2-31
	213, 223, 233	BS22041a	Data sh. 1.11-2120
	214, 224, 234	BS22040b	Data sh. 1.11-2120
Pressure valves:	210...214	BS.PM22-Z36	Data sh. 2.1-543
	220...224	BY.PM22	Data sh. 2.1-544
	230...234	BX.PM22	Data sh. 2.1-544
	240	BDPPM22	Data sh. 2.3-540
Pressure ranges	210...214	63, 160, 350 [bar]	
from press. valves:	220...224	100, 315 [bar]	
	230...234	100, 315 [bar]	
	240	40, 100, 200, 315 [bar]	

PARTS LIST

Position	Article	Description
10	63.0063 63.0064	Plate to 210, 220, 230, 240 Plate to other types
20	238.2406	Locking screw VSTI G1/4"
30	246.4140	Cyl. screw M8x40 DIN912
40	221.2255	Pin Ø3x10 DIN1481
50	160.2061	O-ring ID 6,02x2,62
60	118.2007	Orifice M5 / 0,6 x 5
	118.2008	Orifice M5 / 0,7 x 5
	118.2010	Orifice M5 / 0,8 x 5
	118.2011	Orifice M5 / 0,9 x 5
	118.2012	Orifice M5 / 1,0 x 5