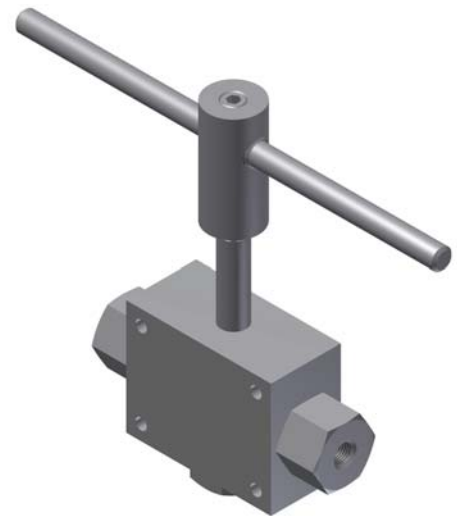


6,000 PSIG

	C-1884-01	C-1884-02	C-1884-03
Description	Subsea Ball Valve	Subsea Ball Valve	Subsea Ball Valve
Detail	2-way, 90 deg Turn	3-way, 90 deg Turn	3-way, 90 deg Turn
MAWP	6,000 psig	6,000 psig	6,000 psig
Orifice	.375"	.375"	.375"
CV	3.4	2.4	2.4
Barrier	Single	Single	Single
Body	316	316	316
Stem	Inconel 625	Inconel 625	Inconel 625
Trunnion	316	316	316
O-Ring	Nitrile N1210-90	Nitrile N1210-90	Nitrile N1210-90
Connection	Various	Various	Various
Actuator	Handle	Handle	Handle
Length	3.62"	3.62"	3.62"
Width	1.75"	1.75"	1.75"
Height	7.63"	7.63"	7.63"
Hydrostatic Test Pressure	9,000 psig	9,000 psig	9,000 psig
Max Torque on Stem	36 ft-lbs	36 ft-lbs	36 ft-lbs



	C-1884-04	C-1884-05
Description	Subsea Ball Valve	Subsea Ball Valve
Detail	3-way, 180 deg Turn	2-way, 90 deg Turn
MAWP	6,000 psig	6,000 psig
Orifice	.375"	.375"
CV	2.4	3.4
Barrier	Single	Single
Body	316	316
Stem	Inconel 625	Inconel 625
Trunnion	316	316
O-Ring	Nitrile N1210-90	Nitrile N1210-90
Connection	Various	Various
Actuator	Handle	Handle
Length	3.62"	3.62"
Width	1.75"	1.75"
Height	7.63"	7.63"
Hydrostatic Test Pressure	9,000 psig	9,000 psig
Max Torque on Stem	36 ft-lbs	36 ft-lbs

Valve Features

- Economical 316 construction
- 6,000 psi service
- ½" Sq. stem
- ROV operation with "T" handle and API bucket mounting
- Side bracket mounting

