

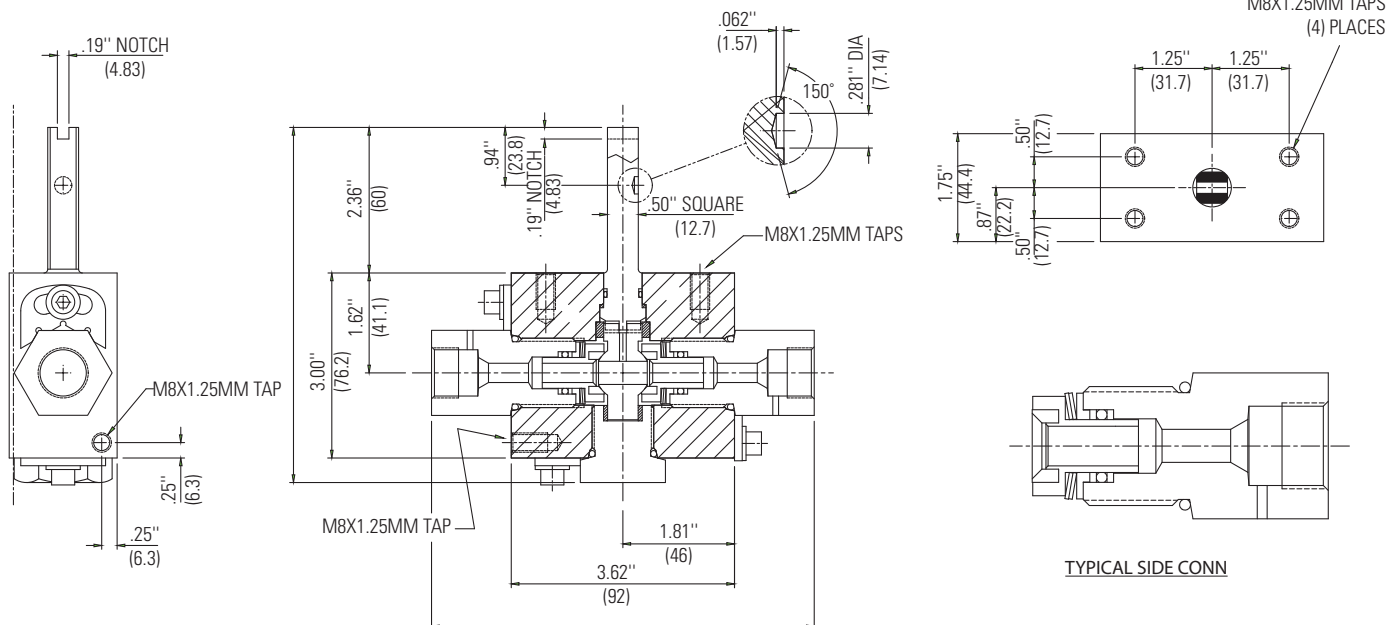
# Subsea Ball Valve

15,000 PSIG

C-2130-01	
Description	Subsea Ball Valve
Detail	2-way, 90 deg Turn
MAWP	15,000 psig
Orifice	.312"
CV	3.4
Barrier	Single
Body	2507 SD
Stem	Inconel 625
Trunnion	Inconel 625
O-Ring	HNBR 2269-90
Connection	Various
Actuator	ROV
Length	3.62"
Width	1.75"
Height	5.36"
Hydrostatic Test Pressure	22,500 psig
Max Torque on Stem	36 ft-lbs

### Valve Features

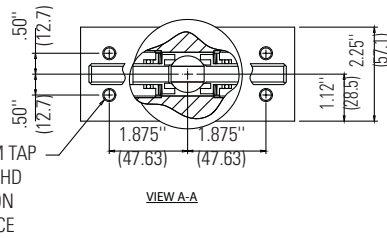
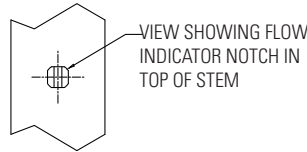
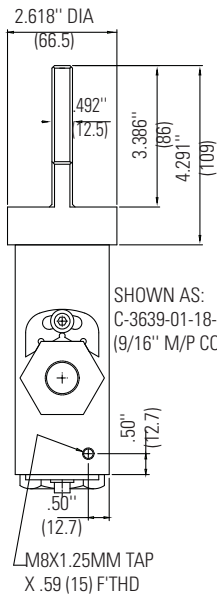
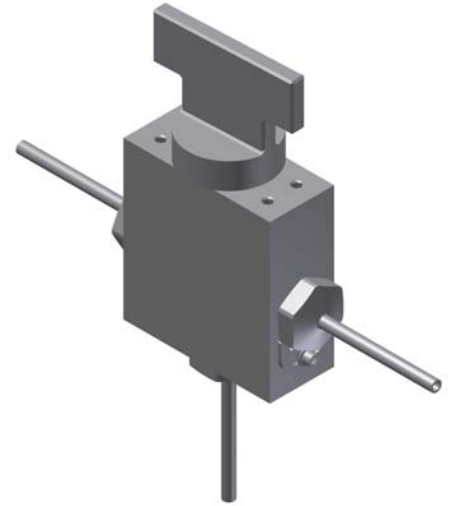
- 15,000 psi service
- NACE construction – MR0175 up to H<sub>2</sub>S pressure of .01 MPa (1.5 psia)
- ½" Sq. stem
- ROV operation with API bucket mounting
- Available in 3-way configuration with CV of 2.4



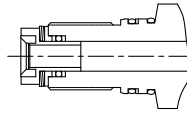
	C-3639-02	C-3639-03
Description	Subsea Ball Valve	Subsea Ball Valve
Detail	3-way, 90 deg Turn	2-way, 90 deg Turn
MAWP	15,000 psig	15,000 psig
Orifice	.375"	.375"
CV	2.4	3.4
Barrier	Double	Double
Body	2507 SD	2507 SD
Stem	Inconel 625	Inconel 625
Trunnion	2507 SD	2507 SD
O-Ring	HNBR 2269	HNBR 2269
Connection	Various	Various
Actuator	ROV	ROV
Length	5.12"	5.12"
Width	2.25"	2.25"
Height	9.78"	9.78"
Hydrostatic Test Pressure	22,500 psig	22,500 psig
Max Torque on Stem	36 ft-lbs	36 ft-lbs

### Valve Features

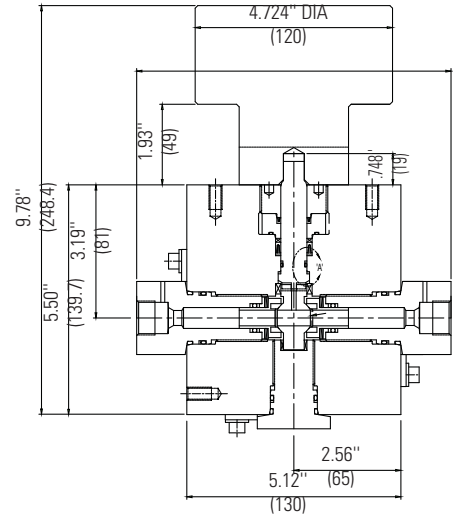
- Dynamic cup-seal on rotating stem
- Double barrier design
- NACE construction – MR0175 up to H2S pressure of .02 MPa (3.0 psia)
- ½" sq. stub stem
- API Bucket mounted with custom blade handle
- Available as 2-way straight, 2-way angle and 3-way with mid-stroke shut-off



VIEW A-A



TYPICAL SIDE CONN

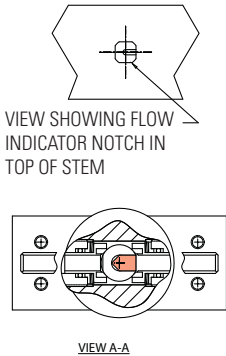


SHOWN AS:  
C-3639-01-18-18  
(9/16" M/P CONNS)

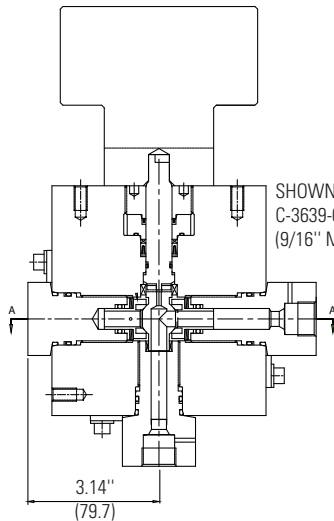
M8X1.25MM TAP  
X .59 (15) F'THD  
(4) PLACES ON  
THIS SURFACE

M8X1.25MM TAP  
X .59 (15) F'THD

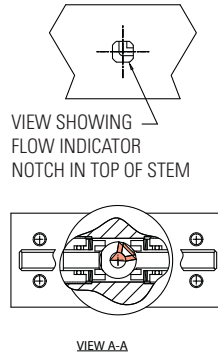
SHOWN AS:  
C-3639-02-18-18-18B  
(9/16" M/P CONNS)



VIEW A-A



SHOWN AS:  
C-3639-03-149-\*\*-B  
(9/16" M/P CONNS)



VIEW A-A

