

Valve Actuators

MAXIMATOR air operated valve actuators are piston type design, and are mounted on a manual valve to provide remote control capability. There are two air to open actuators and two air to close actuators available, and selection is based on the valve size, system pressure, and air pressure available.

Valves Actuator features:

- ▶ Piston style valve actuator design offers dependable operation and longer actuator cycle life.
- ▶ Two different size actuators are available to cover varying plant air supplies.
- ▶ Actuators are made of anodized aluminum, which provides good corrosion resistance.
- ▶ Actuators are available in normally open or normally closed configuration.
- ▶ Actuators are available in double acting configuration

MAXIMATOR offers a complete line of high pressure valves, fittings and tubing to compliment the valve actuator line.

Note: When selecting multiple items, the pressure rating would be that of the lowest rated component.

Valve Actuators Index

Air to Close / Normally Open 2-3
Air to Open / Normally Closed 4-6

Factory **MAXIMATOR GmbH**
Lange Strasse 6
99734 Nordhausen
Germany

Telephon: +49 (0) 3631 9533-0
Facsimile: +49 (0) 3631 9533-5010
E-Mail: info@maximator.de
Internet: www.maximator.de

MAXIMATOR®

Valve Actuators

Air to Close, Normally Open

Order Information

Select the basic manual valve from the appropriate pressure section, then add the actuator suffix number to the end of the manual valve catalog number.

Example: 21V4M071-**YMNO**, medium duty actuator, normally open. This valve can be operated at 22,500 psi with an air supply of 100 psi to the valve actuator.

Technical Information

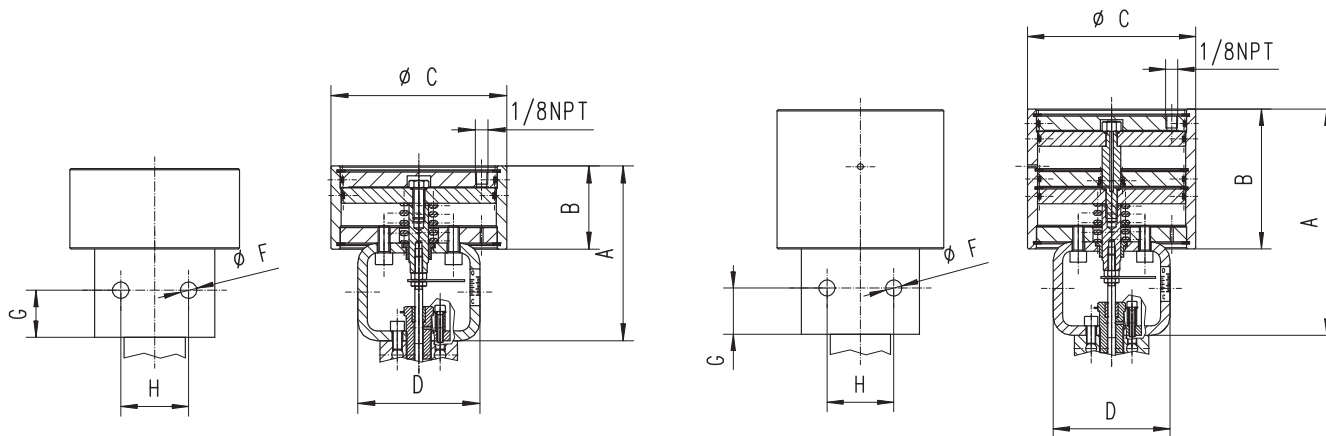
Maximum allowable working pressure for actuator:	See table below for specific valve type
Maximum operation temperature range for actuator:	-20°F to +200°F (-30°C to +95°C)
Actuator material:	Anodized Aluminum
Air connection size:	1/8NPT



Medium Duty Valve Actuator



Heavy Duty Valve Actuator



Actuator type	Ordering suffix	Piston area in. ² (mm ²)	A in. (mm)	B in. (mm)	C in. (mm)	D in. (mm)	F in. (mm)	G in. (mm)	H in. (mm)
Medium duty	4;6;9- YMNO	19.6 (12.645)	5.79 (147.3)	2.69 (68.3)	5.67 (144.)	4.09 (104.1)	0.28 (7)	1.65 (42)	1.13 (28.8)
Heavy duty	4;6;9- YHNO	39.2 (25.290)	7.78 (197.8)	4.72 (119.9)	5.67 (144.)	4.09 (104.1)	0.28 (7)	1.65 (42)	1.13 (28.8)
Medium duty	12- YMNO	19.6 (12.645)	6.58 (167.3)	2.69 (68.3)	5.67 (144.)	4.09 (104.1)	0.28 (7)	2.55 (64.7)	1.13 (28.8)
Heavy duty	12;16- YHNO	39.2 (25.290)	8.58 (217.9)	4.72 (119.9)	5.67 (144.)	4.09 (104.1)	0.28 (7)	2.55 (64.7)	1.13 (28.8)

* E dimension is an approximation only.

All technical and dimensional information subject to change. All general Terms and Conditions of sale, including limitations of our liability, apply to all products and services sold.

Sour Service Products
Pipe Valves & Fittings
to 15,200 psi (1,050 bar)

Adapters and Couplings
Medium Pressure
to 22,500 psi (1,550 bar)

Accessories
High Pressure
to 65,000 psi (4,500 bar)

Tools and Installation
Ultra High Pressure
to 152,000 psi (10,500 bar)

Technical Information
Valve Actuators

Custom Valves and Manifolds
Ball Valves
to 21,000 psi (1,500 bar)

MAXIMATOR®

Valve Actuators Air to Close, Normally Open

Sour Service
Products
Pipe Valves & Fittings
to 15,200 psi (1,050 bar)

Adapters and
Couplings
Medium Pressure
to 22,500 psi (1,550 bar)

Accessories
High Pressure
to 65,000 psi (4,500 bar)

Tools and
Installation
Ultra High Pressure
to 152,000 psi (10,500 bar)

Technical
Information
Valve Actuators

Custom Valves
and Manifolds
Ball Valves
to 21,000 psi (1,500 bar)

Valve Series	Air Actuator		Air pressure required to close Valve at: System Pressure ksi (bar)											Max. Pressure psi (bar)	Stem Travel in. (mm)	Flow Value Cv*
	Type	Ordering Suffix	1-3 (68-200)	4 (275)	6 (400)	8 (550)	10 (700)	12 (830)	14 (970)	16 (1,100)	18 (1,250)	20 (1,400)	21 (1,500)			
21V4	Medium Duty	-YMNO	40 (2.8)	40 (2.8)	40 (2.8)	40 (2.8)	50 (3.5)	60 (4.2)	70 (4.9)	80 (5.6)	85 (5.9)	95 (6.6)	100 (6.9)	21,000 (1,500)	0.25 (6.4)	0.31
	Heavy Duty	-YHNO	20 (1.4)	20 (1.4)	20 (1.4)	20 (1.4)	25 (1.7)	30 (2.1)	35 (2.4)	40 (2.8)	45 (3.1)	50 (3.5)	55 (3.8)			
21V6	Medium Duty	-YMNO	45 (3.1)	45 (3.1)	45 (3.1)	45 (3.1)	55 (3.8)	65 (4.5)	75 (5.2)	85 (5.9)	95 (6.6)	100 (6.9)	20,000 (1,400)	0.25 (6.4)	0.75	
	Heavy Duty	-YHNO	25 (1.7)	25 (1.7)	25 (1.7)	25 (1.7)	30 (2.1)	35 (2.4)	40 (2.8)	45 (3.1)	50 (3.5)	55 (3.8)	60 (4.2)			
21V9	Medium Duty	-YMNO	60 (4.2)	60 (4.2)	65 (4.5)	80 (5.6)	100 (6.9)						10,700 (700)	0.38 (9.7)	1.30	
	Heavy Duty	-YHNO	30 (2.1)	30 (2.1)	30 (2.1)	40 (2.8)	50 (3.5)	55 (3.8)	60 (4.2)	70 (4.9)	80 (5.6)	85 (5.9)	90 (6.2)			
21V12	Medium Duty	-YMNO	80 (5.6)	80 (5.6)	100 (6.9)								6,100 (400)	0.44 (11.2)	2.50	
	Heavy Duty	-YHNO	40 (2.8)	40 (2.8)	50 (3.5)	60 (4.2)	75 (5.2)	90 (6.2)	100 (6.9)				13,600 (970)			
21V16	Heavy Duty	-YHNO	50 (3.5)	50 (3.5)	70 (4.9)	100 (6.9)							8,800 (550)	0.56 (14.2)	3.40	
36V4	Medium Duty	-YMNO	25 (1.7)	25 (1.7)	30 (2.1)	35 (2.4)	35 (2.4)	40 (2.8)	45 (3.1)	50 (3.5)	50 (3.5)	55 (3.8)	65 (4.5)	36,000 (2,500)	0.19 (4.8)	0.12
	Heavy Duty	-YHNO	15 (1)	15 (1)	15 (1)	20 (1.4)	20 (1.4)	20 (1.4)	25 (1.7)	25 (1.7)	25 (1.7)	30 (2.1)	35 (2.4)			
36V6 & 36V9	Medium Duty	-YMNO	30 (2.1)	35 (2.4)	40 (2.8)	45 (3.1)	50 (3.5)	55 (3.8)	60 (4.2)	65 (4.5)	70 (4.9)	72 (5)	85 (5.9)	36,000 (2,500)	0.19 (4.8)	0.23
	Heavy Duty	-YHNO	15 (1)	20 (1.4)	20 (1.4)	25 (1.7)	25 (1.7)	30 (2.1)	30 (2.1)	35 (2.4)	35 (2.4)	40 (2.8)	50 (3.5)			
65V4 & 65V6	Medium Duty	-YMNO	30 (2.1)	30 (2.1)	30 (2.1)	35 (2.4)	45 (3.1)	50 (3.5)	55 (3.8)	60 (4.2)	70 (4.9)	75 (5.2)	80 (5.6)	65,000 (4,500)	0.25 (6.4)	0.08
	Heavy Duty	-YHNO	15 (1)	15 (1)	15 (1)	20 (1.4)	25 (1.7)	25 (1.7)	30 (2.1)	30 (2.1)	35 (2.4)	40 (2.8)	45 (3.1)			
65V9	Medium Duty	-YMNO	35 (2.4)	35 (2.4)	40 (2.8)	50 (3.5)	55 (3.8)	65 (4.5)	70 (4.9)	75 (5.2)	85 (5.9)	90 (6.2)	95 (6.6)	65,000 (4,500)	0.25 (6.4)	0.14
	Heavy Duty	-YHNO	20 (1.4)	20 (1.4)	20 (1.4)	25 (1.7)	30 (2.1)	35 (2.4)	35 (2.4)	40 (2.8)	45 (3.1)	45 (3.1)	50 (3.5)			
101V5	Medium Duty	-YMNO	50 (3.5)	50 (3.5)	50 (3.5)	50 (3.5)	55 (3.8)	65 (4.5)	75 (5.2)	85 (5.9)	95 (6.6)	100 (6.9)		101,000 (7,000)	0.12 (3)	0.09
	Heavy Duty	-YHNO	30 (2.1)	30 (2.1)	30 (2.1)	30 (2.1)	30 (2.1)	35 (2.4)	40 (2.8)	40 (2.8)	45 (3.1)	50 (3.5)				

* Cv values are for straight pattern valves, increase this value by 50% for angle pattern valves.

MAXIMATOR®

Valve Actuators

Air to Open, Normally Closed

Order Information

Select the basic manual valve from the appropriate pressure section, then add the actuator suffix number to the end of the manual valve catalog number.

Example: 21V4M071-**YMNC**, medium duty actuator, normally closed. This valve can be operated at 22,500 psi with an air supply of 100 psi to the valve actuator.

Technical Information

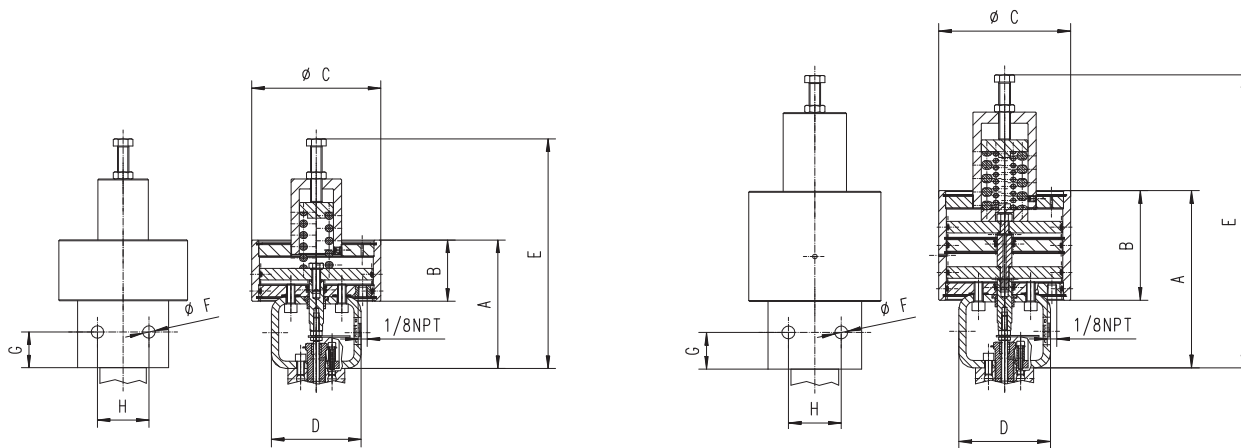
Maximum allowable working pressure for actuator:	See table below for specific valve type
Maximum operation temperature range for actuator:	-20°F to +200°F (-30°C to +95°C)
Actuator material:	Anodized Aluminum
Air connection size:	1/8NPT



Medium Duty Valve Actuator



Heavy Duty Valve Actuator



Actuator type	Ordering Suffix	Piston area in. ² (mm ²)	A in. (mm)	B in. (mm)	C in. (mm)	D in. (mm)	E* in. (mm)	F in. (mm)	G in. (mm)	H in. (mm)
Medium duty	4;6;9- YMNC	19.6 (12,645)	5.79 (147.3)	2.69 (68.3)	5.67 (144)	4.09 (104)	10.09 (256.3)	0.28 (7.1)	1.65 (42)	1.13 (28.8)
Heavy duty	4;6;9- YHNC	39.2 (25,290)	7.78 (197.8)	4.72 (119.9)	5.67 (144)	4.09 (104)	12.59 (320)	0.28 (7.1)	1.65 (42)	1.13 (28.8)
Heavy duty	12;16- YHNC	39.2 (25,290)	8.58 (217.9)	4.72 (119.9)	5.67 (144)	4.09 (104)	13.27 (337.8)	0.28 (7.1)	2.55 (64.7)	1.13 (28.8)

* E dimension is an approximation only.

All technical and dimensional information subject to change. All general Terms and Conditions of sale, including limitations of our liability, apply to all products and services sold.

Sour Service Products
to 15,200 psi (1,050 bar)

Adapters and Couplings
to 22,500 psi (1,550 bar)

Accessories
to 65,000 psi (4,500 bar)

Tools and Installation
to 152,000 psi (10,500 bar)

Valve Actuators
to 21,000 psi (1,500 bar)

Ball Valves and Manifolds
to 21,000 psi (1,500 bar)

MAXIMATOR®

Valve Actuators Air to Open, Normally Closed

Valve Series	Air Actuator			Air pressure required to open Valve at: System Pressure ksi (bar)									Max. Pressure psi (bar)	Flow Value Cv*
	Type	Ordering Suffix	Data	6 (410)	8 (550)	10 (700)	12 (830)	14 (970)	16 (1,100)	18 (1,250)	20 (1,400)	21 (1,500)		
21V4	Medium Duty	-YMNC	Air Pressure psi (bar)	65 (4.5)	65 (4.5)	75 (5.2)	85 (5.9)	95 (6.6)	95 (6.6)	95 (6.6)	95 (6.6)	100 (6.9)	21,000 (1,500)	0.31 - 0.22
			Spring Pre-compression in. (mm)	0.19 (4.8)	0.19 (4.8)	0.25 (6.4)	0.31 (7.9)	0.38 (9.7)	0.44 (11.2)	0.5 (12.7)	0.56 (14.2)	0.59 (15)		
			Stem Travel in. (mm)	0.25 (6.4)	0.25 (6.4)	0.25 (6.4)	0.25 (6.4)	0.25 (6.4)	0.19 (4.8)	0.12 (3)	0.06 (1.5)	0.03 (0.8)		
	Heavy Duty	-YHNC	Air Pressure psi (bar)	35 (2.4)	35 (2.4)	40 (2.8)	45 (3.1)	50 (3.5)	50 (3.5)	50 (3.5)	50 (3.5)	55 (3.8)	21,000 (1,500)	
			Spring Pre-compression in. (mm)	0.19 (4.8)	0.19 (4.8)	0.25 (6.4)	0.31 (7.9)	0.38 (9.7)	0.44 (11.2)	0.5 (12.7)	0.56 (14.2)	0.59 (15)		
			Stem Travel in. (mm)	0.25 (6.4)	0.25 (6.4)	0.25 (6.4)	0.25 (6.4)	0.25 (6.4)	0.19 (4.8)	0.12 (3)	0.06 (1.5)	0.03 (0.8)		
21V6	Medium Duty	-YMNC	Air Pressure psi (bar)	65 (4.5)	75 (5.2)	85 (5.9)	95 (6.6)	95 (6.6)	95 (6.6)	95 (6.6)			18,250 (1,250)	0.75 - 0.57
			Spring Pre-compression in. (mm)	0.19 (4.8)	0.25 (6.4)	0.31 (7.9)	0.38 (9.7)	0.44 (11.2)	0.5 (12.7)	0.56 (14.2)				
			Stem Travel in. (mm)	0.25 (6.4)	0.25 (6.4)	0.25 (6.4)	0.25 (6.4)	0.19 (4.8)	0.12 (3)	0.06 (1.5)				
	Heavy Duty	-YHNC	Air Pressure psi (bar)	35 (2.4)	40 (2.8)	45 (3.1)	50 (3.5)	50 (3.5)	50 (3.5)	50 (3.5)			18,250 (1,250)	
			Spring Pre-compression in. (mm)	0.19 (4.8)	0.25 (6.4)	0.31 (7.9)	0.38 (9.7)	0.44 (11.2)	0.5 (12.7)	0.56 (14.2)				
			Stem Travel in. (mm)	0.25 (6.4)	0.25 (6.4)	0.25 (6.4)	0.25 (6.4)	0.19 (4.8)	0.12 (3)	0.06 (1.5)				
21V9	Medium Duty	-YMNC	Air Pressure psi (bar)	90 (6.2)	95 (6.6)	95 (6.6)							9,800 (675)	1.29 - 0.53
			Spring Pre-compression in. (mm)	0.34 (8.6)	0.47 (11.9)	0.56 (14.2)								
			Stem Travel in. (mm)	0.25 (6.4)	0.15 (3.8)	0.06 (1.5)								
	Heavy Duty	-YHNC	Air Pressure psi (bar)	55 (3.8)	65 (4.5)	70 (4.9)	75 (5.2)	75 (5.2)	75 (5.2)				15,700 (1,080)	
			Spring Pre-compression in. (mm)	0.22 (5.6)	0.28 (7.1)	0.34 (8.6)	0.44 (11.2)	0.5 (12.7)	0.56 (14.2)					
			Stem Travel in. (mm)	0.25 (6.4)	0.25 (6.4)	0.25 (6.4)	0.19 (4.8)	0.12 (3)	0.06 (1.5)					
21V12	Heavy Duty	-YHNC	Air Pressure psi (bar)	75 (5.2)	75 (5.2)								9,200 (630)	0.80 - 0.78
			Spring Pre-compression in. (mm)	0.38 (9.7)	0.56 (14.2)									
			Stem Travel in. (mm)	0.25 (6.4)	0.06 (1.5)									
21V16	Heavy Duty	-YHNC	Air Pressure psi (bar)	75 (5.2)									6,100 (420)	2.73 - 0.15
			Spring Pre-compression in. (mm)	0.56 (14.2)										
			Stem Travel in. (mm)	0.06 (1.5)										

* Cv values are for straight pattern valves, increase this value by 50% for angle pattern valves.
Cv values vary due to compression of actuator spring, and are adjusted based on system pressure.
Values shown are for maximum to minimum stem travel position.

Pipe Valves & Fittings
to 15,200 psi (1,050 bar)

Source Service
Products

Medium Pressure
to 22,500 psi (1,550 bar)

Adapters and
Couplings

High Pressure
to 65,000 psi (4,500 bar)

Accessories

Ultra High Pressure
to 152,000 psi (10,500 bar)

Tools and
Installation

Valve Actuators

Technical
Information

Ball Valves
to 21,000 psi (1,500 bar)

Custom Valves
and Manifolds

MAXIMATOR®

Valve Actuators Air to Open, Normally Closed

Valve Series	Air Actuator			Air pressure required to open Valve at: System Pressure ksi (bar)											Max. Pressure psi (bar)	Flow Value Cv*			
	Type	Ordering Suffix	Data	1-12 (68-830)	14 (970)	16 (1,100)	18 (1,250)	20 (1,400)	22 (1,500)	24 (1,650)	26 (1,800)	28 (1,900)	30 (2,000)	36 (2,500)					
36V4	Medium Duty	-YMNC	Air Pressure psi (bar)	45 (3.1)	55 (3.8)	55 (3.8)	55 (3.8)	55 (3.8)	65 (4.5)	65 (4.5)	65 (4.5)	65 (4.5)	75 (5.2)	85 (5.9)	36,000 (2,500)	0.12			
			Spring Pre-compression in. (mm)	0.12 (3)	0.19 (4.8)	0.19 (4.8)	0.19 (4.8)	0.19 (4.8)	0.25 (6.4)	0.25 (6.4)	0.25 (6.4)	0.25 (6.4)	0.31 (7.9)	0.37 (9.4)					
			Stem Travel in. (mm)	0.19 (4.8)	0.19 (4.8)	0.19 (4.8)	0.19 (4.8)	0.19 (4.8)	0.19 (4.8)	0.19 (4.8)	0.19 (4.8)	0.19 (4.8)	0.19 (4.8)	0.19 (4.8)			0.19 (4.8)		
	Heavy Duty	-YHNC	Air Pressure psi (bar)	25 (1.7)	30 (2.1)	30 (2.1)	30 (2.1)	30 (2.1)	35 (2.4)	35 (2.4)	35 (2.4)	35 (2.4)	40 (2.8)	45 (3.1)			36,000 (2,500)	0.12	
			Spring Pre-compression in. (mm)	0.12 (3)	0.19 (4.8)	0.19 (4.8)	0.19 (4.8)	0.19 (4.8)	0.25 (6.4)	0.25 (6.4)	0.25 (6.4)	0.25 (6.4)	0.31 (7.9)	0.37 (9.4)					
			Stem Travel in. (mm)	0.19 (4.8)	0.19 (4.8)	0.19 (4.8)	0.19 (4.8)	0.19 (4.8)	0.19 (4.8)	0.19 (4.8)	0.19 (4.8)	0.19 (4.8)	0.19 (4.8)	0.19 (4.8)					0.19 (4.8)
36V6 & 36V9	Medium Duty	-YMNC	Air Pressure psi (bar)	55 (3.8)	55 (3.8)	65 (4.5)	65 (4.5)	75 (5.2)	75 (5.2)	75 (5.2)	85 (5.9)	85 (5.9)	95 (6.6)	100 (6.9)	36,000 (2,500)	0.12			
			Spring Pre-compression in. (mm)	0.19 (4.8)	0.19 (4.8)	0.25 (6.4)	0.25 (6.4)	0.31 (7.9)	0.31 (7.9)	0.31 (7.9)	0.38 (9.7)	0.38 (9.7)	0.44 (11.2)	0.5 (12.7)					
			Stem Travel in. (mm)	0.19 (4.8)	0.19 (4.8)	0.19 (4.8)	0.19 (4.8)	0.19 (4.8)	0.19 (4.8)	0.19 (4.8)	0.19 (4.8)	0.19 (4.8)	0.19 (4.8)	0.19 (4.8)					0.19 (4.8)
	Heavy Duty	-YHNC	Air Pressure psi (bar)	30 (2.1)	30 (2.1)	35 (2.4)	35 (2.4)	40 (2.8)	40 (2.8)	40 (2.8)	45 (3.1)	45 (3.1)	50 (3.5)	55 (3.8)			36,000 (2,500)	0.33	
			Spring Pre-compression in. (mm)	0.19 (4.8)	0.19 (4.8)	0.25 (6.4)	0.25 (6.4)	0.31 (7.9)	0.31 (7.9)	0.31 (7.9)	0.38 (9.7)	0.38 (9.7)	0.44 (11.2)	0.5 (12.7)					
			Stem Travel in. (mm)	0.19 (4.8)	0.19 (4.8)	0.19 (4.8)	0.19 (4.8)	0.19 (4.8)	0.19 (4.8)	0.19 (4.8)	0.19 (4.8)	0.19 (4.8)	0.19 (4.8)	0.19 (4.8)					0.19 (4.8)
65V4 & 65V6	Medium Duty	-YMNC	Air Pressure psi (bar)	55 (3.8)	65 (4.5)	65 (4.5)	65 (4.5)	75 (5.2)	75 (5.2)	85 (5.9)	85 (5.9)	85 (5.9)	95 (6.6)	100 (6.9)	65,000 (4,500)	0.08			
			Spring Pre-compression in. (mm)	0.12 (3)	0.19 (4.8)	0.19 (4.8)	0.19 (4.8)	0.25 (6.4)	0.25 (6.4)	0.31 (7.9)	0.31 (7.9)	0.31 (7.9)	0.31 (7.9)	0.38 (9.7)					0.38 (9.7)
			Stem Travel in. (mm)	0.25 (6.4)	0.25 (6.4)	0.25 (6.4)	0.25 (6.4)	0.25 (6.4)	0.25 (6.4)	0.25 (6.4)	0.25 (6.4)	0.25 (6.4)	0.25 (6.4)	0.25 (6.4)					0.25 (6.4)
	Heavy Duty	-YHNC	Air Pressure psi (bar)	30 (2.1)	35 (2.4)	35 (2.4)	35 (2.4)	40 (2.8)	40 (2.8)	45 (3.1)	45 (3.1)	45 (3.1)	50 (3.5)	55 (3.8)			65,000 (4,500)	0.09	
			Spring Pre-compression in. (mm)	0.12 (3)	0.19 (4.8)	0.19 (4.8)	0.19 (4.8)	0.25 (6.4)	0.25 (6.4)	0.31 (7.9)	0.31 (7.9)	0.31 (7.9)	0.38 (9.7)	0.44 (11.2)					
			Stem Travel in. (mm)	0.25 (6.4)	0.25 (6.4)	0.25 (6.4)	0.25 (6.4)	0.25 (6.4)	0.25 (6.4)	0.25 (6.4)	0.25 (6.4)	0.25 (6.4)	0.25 (6.4)	0.25 (6.4)					0.25 (6.4)
65V9	Medium Duty	-YMNC	Air Pressure psi (bar)	55 (3.8)	65 (4.5)	65 (4.5)	75 (5.2)	75 (5.2)	85 (5.9)	95 (6.6)	95 (6.6)	95 (6.6)	95 (6.6)	100 (6.9)	65,000 (4,500)	1.04			
			Spring Pre-compression in. (mm)	0.12 (3)	0.19 (4.8)	0.19 (4.8)	0.25 (6.4)	0.25 (6.4)	0.31 (7.9)	0.38 (9.7)	0.38 (9.7)	0.44 (11.2)	0.50 (12.7)	0.56 (14.2)					
			Stem Travel in. (mm)	0.25 (6.4)	0.25 (6.4)	0.25 (6.4)	0.25 (6.4)	0.25 (6.4)	0.25 (6.4)	0.25 (6.4)	0.25 (6.4)	0.19 (4.8)	0.12 (3)	0.06 (1.5)					
	Heavy Duty	-YHNC	Air Pressure psi (bar)	30 (2.1)	35 (2.4)	35 (2.4)	40 (2.8)	40 (2.8)	45 (3.1)	50 (3.5)	50 (3.5)	50 (3.5)	50 (3.5)	55 (3.8)			65,000 (4,500)	1.04	
			Spring Pre-compression in. (mm)	0.12 (3)	0.19 (4.8)	0.19 (4.8)	0.25 (6.4)	0.25 (6.4)	0.31 (7.9)	0.38 (9.7)	0.38 (9.7)	0.44 (11.2)	0.50 (12.7)	0.56 (14.2)					
			Stem Travel in. (mm)	0.25 (6.4)	0.25 (6.4)	0.25 (6.4)	0.25 (6.4)	0.25 (6.4)	0.25 (6.4)	0.25 (6.4)	0.25 (6.4)	0.19 (4.8)	0.12 (3)	0.06 (1.5)					
101V5	Heavy Duty	-YHNC	Air Pressure psi (bar)	35 (2.4)	35 (2.4)	40 (2.8)	40 (2.8)	45 (3.1)	50 (3.5)	55 (3.8)	60 (4.2)	70 (4.9)		90,000 (6,200)	0.09 - 0.07				
			Spring Pre-compression in. (mm)	0.12 (3)	0.12 (3)	0.19 (4.8)	0.19 (4.8)	0.22 (5.6)	0.25 (6.4)	0.28 (7.1)	0.31 (7.9)	0.38 (9.7)							
			Stem Travel in. (mm)	0.12 (3)	0.12 (3)	0.12 (3)	0.12 (3)	0.12 (3)	0.12 (3)	0.12 (3)	0.12 (3)	0.12 (3)							

* Cv values are for straight pattern valves, increase this value by 50% for angle pattern valves. Cv values vary due to compression of actuator spring, and are adjusted based on system pressure. Values shown are for maximum to minimum stem travel position.

All technical and dimensional information subject to change. All general Terms and Conditions of sale, including limitations of our liability, apply to all products and services sold.

Sour Service Products
 to 15,200 psi (1,050 bar)

Adapters and Couplings
 to 22,500 psi (1,550 bar)

Accessories
 to 65,000 psi (4,500 bar)

Tools and Installation
 to 152,000 psi (10,500 bar)

Technical Information
 Valve Actuators

Custom Valves and Manifolds
 to 21,000 psi (1,500 bar)

High Pressure
 to 65,000 psi (4,500 bar)

Medium Pressure
 to 22,500 psi (1,550 bar)

Ultra High Pressure
 to 152,000 psi (10,500 bar)

Ball Valves
 to 21,000 psi (1,500 bar)